



PRODUCT
CATALOGUE
2016

CONTENTS



4	ROOFING ACCESSORIES
6	ROOFING MEMBRANES
7	Roofing membranes application
8	Roofing membranes
9	Vapour-insulation films
9	Adhesive tapes for membranes
10	RIDGE
11-12	Ridge tapes
13	Ridge vents
14	Brackets for ridge battens
14	Lightning installation bracket
14	Ridge end cap
15	CHIMNEY
16	Chimney tapes
16	Chimney strips
17	ROOF VALLEY
18	Roof valley
19	Clamps for mounting roof valley
19	Sealing wedges and expanding tapes
20	EAVES
21	Eaves combs
22	Eaves ventilation grille
22	Eaves stripes
23	ROOF TILES CLAMPS AND CLIPS
24	Ridge tile clamps
25-26	Ridge tile clips
27	ROOF SAFETY
29-30	Chimney steps and roof walkway platforms
31-32	Fastening elements
35	SNOW PROTECTION
35	Elements of snow protection
36-37	Fastening elements
37	Snow protection barrier
38	CHIMNEY VENTS
39	Products for low-profile metal roof sheets
40	Products for high-profile metal roof sheets
41	Products for cement roof tiles
42	TIMBER CONNECTORS
43-50	Timber connectors
50	Screws for timber roof construction
50	Nails for timber connectors
51	RAL COLOUR CHART
51	PRODUCT CODES

HIMALAYAN ROOF® BRAND

Roofing accessories Himalayan Roof® were created basing on experiences gathered during 20 years of cooperation Info-GLOBAL Fastening® with roofers and roof producers.

Himalayan Roof® is a wide range of high quality roofing membranes and accessories such as ridge tapes, tapes for chimney, snow protection and roof safety elements, chimney vents and many others.

The Products of Himalayan Roof® arise from using the latest technology and are resistant to extreme weather conditions, making a significant contribution to the sustainability of the roofing.



HimalayanRoof®

ROOF TILE CLIPS

Clips allow quick and safe installation of roof tiles and increase the roof's resistance to the wind and snow.

7

CHIMNEY VENTS

Vents are used to get the ducts and ventilation drains through the roof slope.

10

TIMBER CONNECTORS

Connectors are widely used as connecting elements in different structural systems wood - wood , wood - concrete.

11

6

RIDGE TILE CLAMPS

Clamps enable fast and durable installation of ridge tiles on ridge and ridge patch na batten.

5

EAVES

Eaves combs and grilles protect against birds, rodents and large insects and allow free air flow.

9

SNOW PROTECTION

Snow guards and fences protect against slipping of snow from the roof.

4

ROOF VALLEY

Roof valleys allow proper pick up and dispose of rainwater from the connection of two roof slopes.

3

CHIMNEY

Chimney tapes allow a tight and durable connection of the roof with a chimney and with a wall.

8

ROOF SAFETY

Chimney steps and roof walkways enable easy and safe access to the chimneys and ventilation.

2

RIDGE

Ridge tapes seal the ridge tile and the ridge and provide proper ventilation.

1

ROOFING MEMBRANES

Roofing membranes allow the flow of water vapour and protect the insulation and the roof structure against moisture.



A black and white photograph of a roof with a brick chimney. The roof is covered with dark, wavy roofing tiles. A white membrane is visible on the left side of the roof, partially covered by the tiles. The sky is a light, overcast grey.

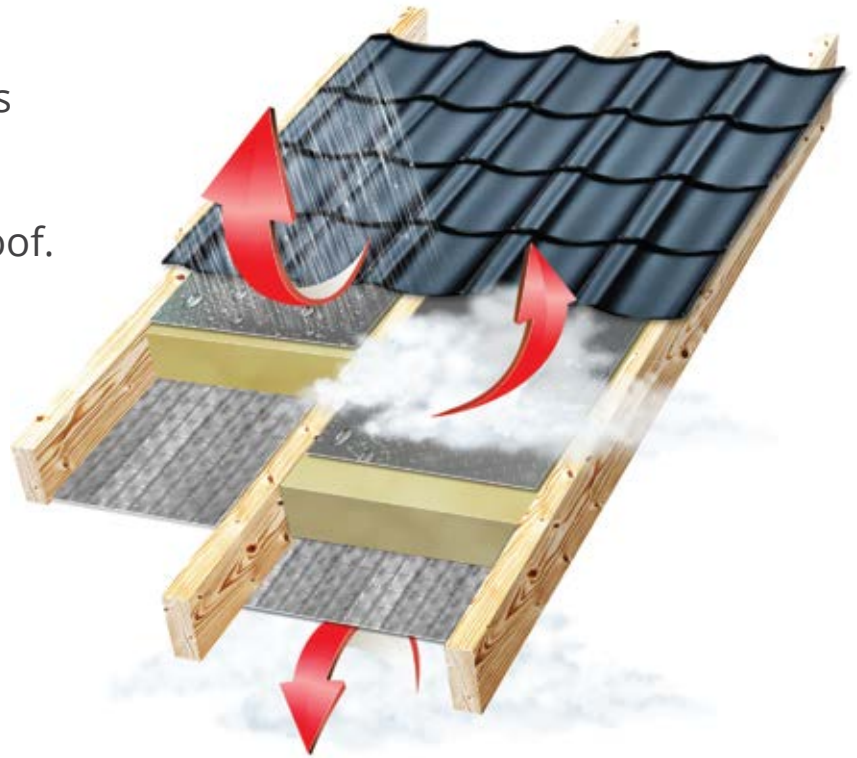
ROOFING MEMBRANES

- 7 ROOFING MEMBRANES APPLICATION
- 8 ROOFING MEMBRANES
- 9 VAPOUR INSULATION FILMS
- 9 ADHESIVE TAPES FOR MEMBRANES

ROOFING MEMBRANES APPLICATION

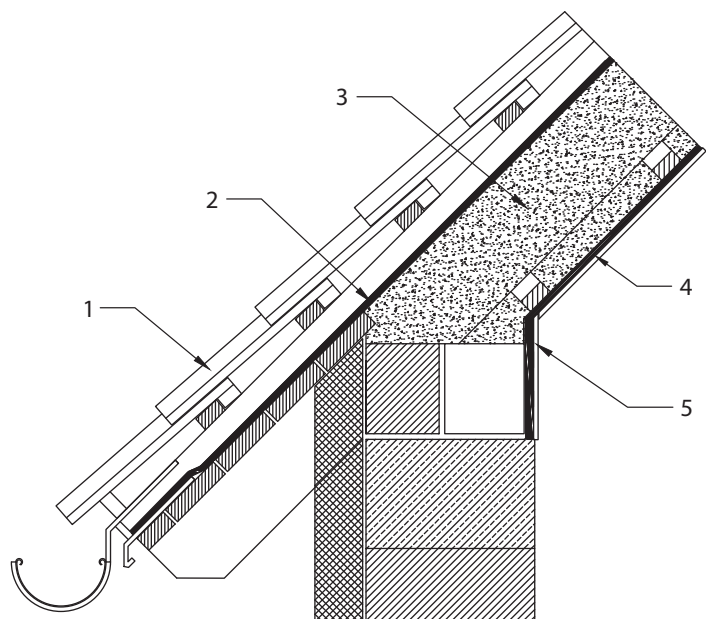
Top-quality roofing membranes, resistant to extreme weather conditions and effectively evaporating, are a decisive factor for the proper execution of each roof.

By using the most advanced methods of production, Himalayan Roof® roofing membranes are characterized by a high, uniform vapour permeability, water resistance, high resistance to UV radiation, as well as the ease of laying and high mechanical strength.



PITCHED ROOF APPLICATION EXAMPLE

1. Roof coverage
2. Roofing membrane
3. Thermal insulation
4. Vapour insulation film
5. Drywall













ROOFING MEMBRANES

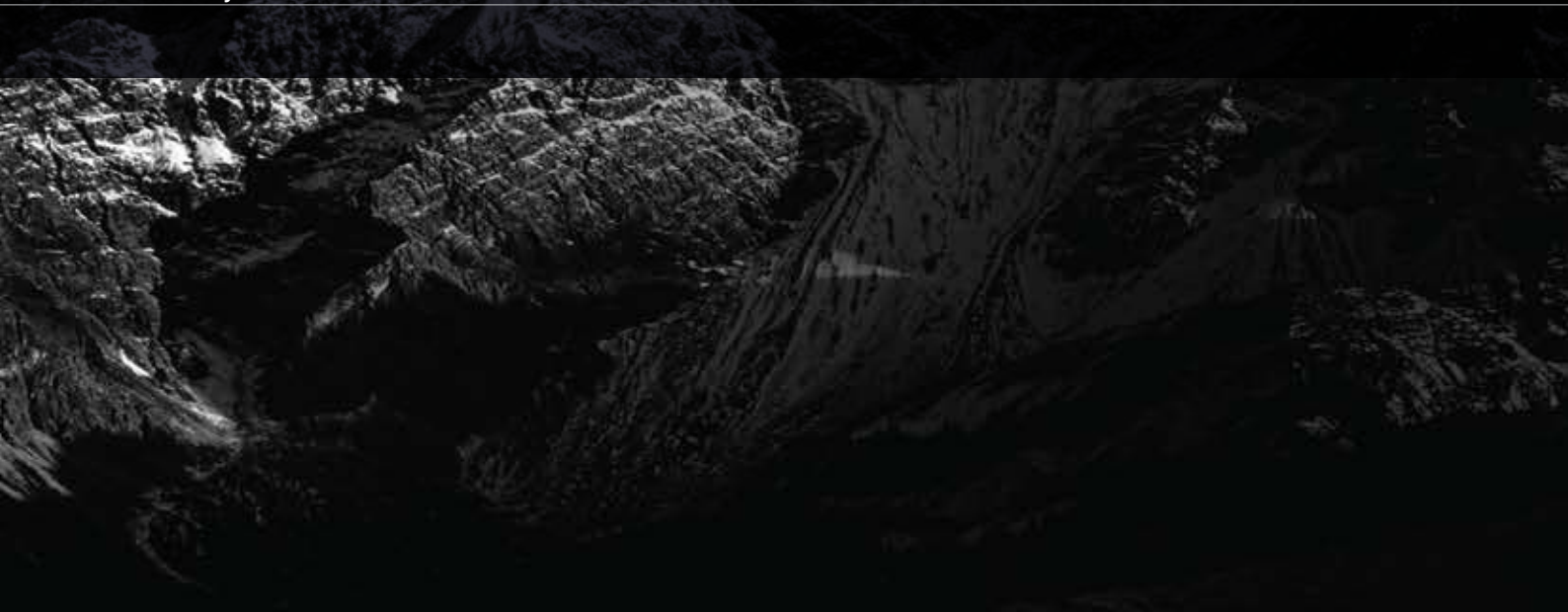
The roofing membranes are used as initial roof covering material for pitched roofs.

They prevent penetration of rain and snow into thermal insulation and roof structure. They protect from condensate forming under primary roofing. Additionally, thanks to high vapour permeability, they keep the entire roof dry, which is of particular importance for energy savings in buildings.



ROOFING MEMBRANES PARAMETERS

TECHNICAL PARAMETER	MD 90	MD 115	MD 135	MD 150	MD 165	ED 185	ED 215	ED 265
Product number	HR01019000	HR01011500	HR01013500	HR01015500	HR01016500	HR01028500	HR01021500	HR01026500
 Basis weight [g/m ²]	90±15	115±20	135±15	150±20	165±20	185±20	215±20	265±20
 Number of layers	3	3	3	3	3	3	3	3
 Vapour permeability [g/m ² /24h]	3000	3000	3000	3000	3000	2500	2500	2500
 Vapour permeability coefficient Sd [m]	0,015 [+0,02/-0,01]	0,015 [+0,02/-0,01]	0,015 [+0,02/-0,01]	0,015 [+0,02/-0,01]	0,015 [+0,02/-0,01]	0,015 [+0,02/-0,01]	0,015 [+0,02/-0,01]	0,02 [+0,03/-0,01]
 Resistance to water penetration	W1	W1	W1	W1	W1	W1	W1	W1
 Resistance to tearing [N/5cm]								
lengthwise	200 [±50]	230 [+60/-80]	280 [+60/-80]	320 [+60/-90]	350 [±100]	380 [±100]	400 [+150/-100]	500 [+100/-120]
crosswise	110 [±50]	135 [+40/-80]	170 [+60/-80]	190 [+60/-90]	220 [±100]	250 [±100]	250 [±100]	550 [+100/-200]
 Application temperature range [°C]	-40: +120	-40: +120	-40: +120	-40: +120	-40: +120	-40: +120	-40: +120	-40: +120
 UV radiation resistance [in months]	3	3	3	3	4	4	4	4
 Roll dimensions [m]	1,5x50 m	1,5x50 m	1,5x50 m	1,5x50 m	1,5x50 m	1,5x50 m	1,5x50 m	1,5x30 m
 Flammability class	E-d2	E-d2	E-d2	E-d2	E-d2	E-d2	E-d2	E-d2



VAPOUR INSULATION FILMS

Vapour insulation films are used indoors as a protection of the roof construction and thermal insulation from the dampness from inside the building.

VAPOUR INSULATION FILMS PARAMETERS

TECHNICAL PARAMETER	FPI 98	FPI 90AL	FPI 110AL	FPI 140AL	FPI 110VR
Product number	HR01049800	HR01049000	HR01041000	HR01044000	HR01041100
 Basis weight [g/m ²]	98	90	110	140	110 ±10%
 Number of layers	2	3	3	3	2
 Vapour permeability [g/m ² /24h]	0	0	0	0	140
 Vapour permeability coefficient Sd [m]	30 ± 20%	45 ± 20%	45 ± 20%	45 ± 20%	2 ± 1,5%
 Resistance to tearing [N/5cm]					
lengthwise	min 650	min 250	min 250	min 250	min 200
crosswise	min 500	min 230	min 230	min 230	min 130
 Application temperature range [°C]	-40 : +80	-40 : +80	-40 : +80	-40 : +80	-40 : +120
 Roll dimensions [m]	1,5 x 50 m	1,5 x 50 m	1,5 x 50 m	1,5 x 50 m	1,5 x 50 m
 Flammability class	E	E	E	E	E

ADHESIVE TAPES FOR HIMALAYAN ROOF® MEMBRANES

*** Application:** tapes are used to connect the membrane strips, sticking membranes for various types of substrates, as well as sealing of membranes and roof truss elements and sealing the connections with wooden elements or wall.

product no	type	type of tape	material type	glue type	application	dimensions [cm x m]	package [box]
HR01050100	W1	Single-sided adhesive	PP fiber	PP fiber	joining and reparation of membranes	5 x 20	24 pcs
HR01050200	PE1	Single-sided adhesive	PE film	PE film	joining PE films	5 x 20	40 pcs
HR01050300	N2	Double-sided adhesive	mesh	mesh	joining PE, PP films and other materials	1,9 x 20	32 pcs
HR01050400	B2	Double-sided adhesive	-	-	joining membranes and films to wide range of substrates	1,5 x 50	8 pcs
HR01050500	K1	Single-sided adhesive	PE foam	PE foam	sealing membranes with battens	4 x 30	12 pcs

RIDGE



11-12

RIDGE TAPES

13

RIDGE VENTS

14

RIDGE BRACKETS

14

LIGHTNING INSTALLATION L-BRACKET

14

RIDGE CAP PVC

RIDGE TAPES

The roof ridge tapes by **HIMALAYAN ROOF®** are used for sealing ridge tiles lying on ventilated pitched roofs.

It is fixed at the ridges and corners, under ridge tiles on the already arranged cover. The tapes allow drainage of residential attics of the steam that permeates the structural layers of the roof and at the same time provide protection against water, snow, dust.

The tapes consist of two strips of aluminum, between which a polypropylene net with a high breathability is located. Specially contoured edges allow installation on any type of roofing material and are used for the efficient discharge of water from precipitation. The butyl coating placed on the banks

allows permanent joining with the roofing. The tape can be used on porous and smooth surfaces, but note that the glued surface should be free of grease and dust.

The used materials provide resistance to aging, UV radiation and temperature. Wide range of colors allows to fit the tape to the most popular shades of tiles available in the market. Available in 5-meter rolls.



RIDGE TAPES



RIDGE TAPE HIMALAYAN RIDGE

- 🔪 **Material:** edges - aluminum coated with paint resistant to UV radiation, the center - fabric with high breathability
- ⚙️ **Application:** sealing and ventilation of the ridge tile and the ridge of the roof
- ⚡ **Adhesive layer:** butyl, width of 20 mm and very good adhesive properties
- ↔️ **Roll length:** 5 m

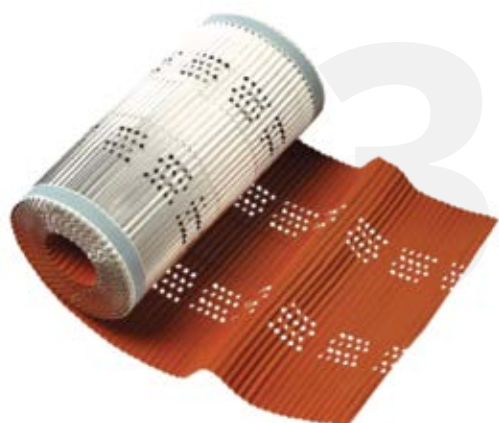
product no	width [mm]	package		colour
		box [pcs]	pallet [pcs]	
HR02012401	240	4	120	black
HR02012402	240	4	120	brick red
HR02012403	240	4	120	brown
HR02012409	240	4	120	cherry red
HR02013101	310	4	120	black
HR02013102	310	4	120	brick red
HR02013103	310	4	120	brown
HR02013109	310	4	120	cherry red



RIDGE TAPE HIMAVENT BASIC

- 🔪 **Material:** technical fabric, aluminium edges
- ⚙️ **Application:** ventilation of the ridge tile and ridges on the roofs with metal roof tiles
- ⚡ **Adhesive layer:** butyl, width of 20 mm and very good adhesive properties
- ↔️ **Roll length:** 5 m

product no	width [mm]	package		colour
		box [pcs]	pallet [pcs]	
HR02041706	175	3	120	graphite



RIDGE TAPE ALUMINUM

- 🔪 **Material:** pleated aluminum
- ⚙️ **Application:** ventilation of the ridge tile and ridges
- ⚡ **Adhesive layer:** butyl, width of 20 mm and very good adhesive properties
- ↔️ **Roll length:** 5 m

product no	width [mm]	package		colour
		box [pcs]	pallet [pcs]	
HR02053001	300	4	160	black
HR02053002	300	4	160	brick red
HR02053003	300	4	160	brown
HR02053004	300	4	160	dark brown
HR02053005	300	4	160	chestnut
HR02053006	300	4	160	graphite
HR02053007	300	4	160	red

RIDGE VENTS

Ridge vents are part of the sealing and ventilation of the roof and the ridge.

RIDGE VENT WITH A BRUSH



- ✓ **Material:** body made of PVC, side made of UV resistant polypropylene fiber
- ✳ **Application:** sealing and ventilation of the ridge
- ↔ **Covering length:** 1 m
- ⚙ **width:** 220 mm
- ▲ **Notes:** can be installed regardless of weather conditions

product no	pile height [mm]	package		colour
		box [pcs]	pallet [pcs]	
HR02066201	62	32	192	black
HR02066202	62	32	192	brick red
HR02066203	62	32	192	brown
HR02066205	62	32	192	chestnut
HR02066206	62	32	192	graphite
HR02066207	62	32	192	red
HR02067501	75	32	192	black
HR02067502	75	32	192	brick red
HR02067503	75	32	192	brown
HR02067505	75	32	192	chestnut
HR02067506	75	32	192	graphite
HR02067507	75	32	192	red

RIDGE VENT FOR ROOF SHINGLES



- ✓ **Material:** tinted PVC, UV-resistant
- ✳ **Application:** used for ventilation of ridges on roofs covered with bitumen shingles

product no	length [mm]	package		colour
		box [pcs]	pallet [pcs]	
HR02070001	1000	10	100	black

Ridge vents

They protect against the ingress of water, dust and insects under the roof covering.

They provide air circulation in the space under the roof slope so that moisture dispenses from the insulation layer, which when is wet, does not work properly. The basis of the vents is a natural flow of warm air upward.

RIDGE BRACKETS

Brackets allow easy and stable installation of ridge battens.

With the brackets, you can quickly and easily determine the appropriate height and leveling of the ridge battens. Different width of the brackets and length of the nails allow the use of different battens and installation on roofs with different angles of inclination.

BRACKETS FOR RIDGE BATTENS

BL TYPE - SHEET

- Material: galvanized steel sheet
- Application: fixing ridge battens

product no	grip width [mm]	package	
		box [pcs]	pallet [pcs]
HR02093000	30	50	4000
HR02094000	40	50	4000
HR02095000	50	50	4000



LIGHTNING INSTALLATION

L-BRACKET

- Material: galvanized, powder coated steel sheet
- Application: applied with understraight ridge tiles, it is easy to install, lightning installation L-bracket is mounted with ridge tile clamps
- Notes: you can order the product in a color different than the standard - according to RAL palette

product no	dimensions [mm]	package		colour
		box [pcs]	pallet [pcs]	
HR02105502	130 x 55	50	7500	brick red
HR02105503	130 x 55	50	7500	brown
HR02105506	130 x 55	50	7500	graphite



BRACKETS FOR RIDGE BATTENS

GW TYPE - NAIL

- Material: hot-dip galvanized steel
- Application: fixing ridge battens
- Notes: brackets with 30 mm and 60 mm wide grip on special order



product no	grip width [mm]	length [mm]	package	
			box [pcs]	pallet [pcs]
HR02084100	40	180	50	4000
HR02084200	40	210	50	4000
HR02084300	40	230	50	4000
HR02084400	40	260	50	4000
HR02084500	40	310	50	4000
HR02085100	50	180	50	4000
HR02085200	50	210	50	4000
HR02085300	50	230	50	4000
HR02085400	50	260	50	4000
HR02085500	50	310	50	4000

RIDGE CAP

- Material: tinted PVC, UV-resistant
- Application: protection and ventilation of the ridge end
- Notes: used instead of the ridge end system

product no	package		colour
	box [pcs]	pallet [pcs]	
HR02110002	50	12250	brick red
HR02110003	50	12250	brown
HR02110006	50	12250	graphite



A black and white photograph of a tiled roof with a brick chimney. The chimney is the central focus, rising vertically from the roofline. The tiles are arranged in a traditional pattern, and the sky in the background is overcast with soft clouds.

CHIMNEY

16

CHIMNEY TAPES

16

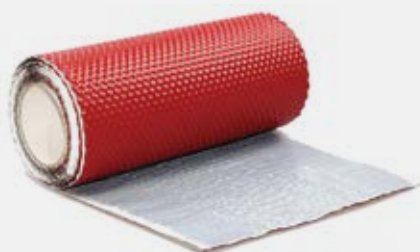
CHIMNEY STRIPS

CHIMNEY TAPES

Proper treatment of places particularly vulnerable to the formation of leaks, such as the place of the tile contact with the chimney wall is one of the most difficult elements in the execution of the roof slope.

Chimney tapes form a barrier for the rain water, are resistant to water, frost, UV radiation and aging processes. Tapes are indispensable component of the roof waterproofing. Ultimate security of the tapes is made using the chimney strips with the color adjusted to the colour of the tape.

CHIMNEY TAPES ROOFLEX 3D



- 🔧 **Material:** embossed aluminum on one side with an adhesive butyl layer
- ⚙️ **Application:** sealing the connection of roof slope with chimney and walls with chimney
- 🔪 **Adhesive layer:** butyl layer with very good adhesive properties
- 📏 **Roll length:** 5 m

product no	width [mm]	package		colour
		box [pcs]	pallet [pcs]	
HR03013101	310	1	120	black
HR03013103	310	1	120	brown
HR03013105	310	1	120	chestnut
HR03013107	310	1	120	red

CHIMNEY TAPES ROOFLEX PB



- 🔧 **Material:** pleated lead 0.4 mm thick painted with polyester paint
- ⚙️ **Application:** sealing the connection of roof slope with chimney and walls with chimney
- 🔪 **Adhesive layer:** butyl layer with very good adhesive properties
- 📏 **Roll length:** 5 m

product no	width [mm]	package		colour
		box [pcs]	pallet [pcs]	
HR03023001	300	1	80	black
HR03023002	300	1	80	brick red
HR03023003	300	1	80	brown
HR03023004	300	1	80	dark brown
HR03023005	300	1	80	chestnut
HR03023006	300	1	80	graphite
HR03023007	300	1	80	red

CHIMNEY TAPES ROOFLEX PB FLAT



- 🔧 **Material:** lead 0,5 mm thick painted with polyester paint
- ⚙️ **Application:** sealing the connection of roof slope with chimney and walls with chimney
- 🔪 **Adhesive layer:** butyl layer with very good adhesive properties
- 📏 **Roll length:** 5 m

product no	width [mm]	package		colour
		box [pcs]	pallet [pcs]	
HR03033001	300	1	80	black
HR03033002	300	1	80	brick red
HR03033003	300	1	80	brown
HR03033004	300	1	80	dark brown
HR03033005	300	1	80	chestnut
HR03033006	300	1	80	graphite
HR03033007	300	1	80	red

ALUMINUM STRIPS



- 🔧 **Material:** aluminum sheet with a thickness of 0.58 mm coated with polyester or copper imitation sheet with a thickness of 0.55 mm
- ⚙️ **Application:** finishing element for chimney tapes
- 🛡️ **Coat protection:** polypropylene film
- ↔️ **Strip length:** 2 m
- 📏 **Strip width:** 72 mm

product no	package box [pcs]	colour
HR03040001	10	black
HR03040002	10	brick red
HR03040003	10	brown
HR03040004	10	dark brown
HR03040005	10	chestnut
HR03030006	10	graphite
HR03030007	10	red
HR03030099	10	copper

A black and white photograph showing two workers on a roof. One worker is sitting on the roof, and the other is leaning over, working on a valley. The roof is covered with stacks of corrugated metal sheets. The sky is clear and light.

ROOF VALLEY

18

ROOF VALLEY

19

CLAMPS FOR MOUNTING ROOF VALLEY

19

SEALING WEDGES AND EXPANDING TAPES

ROOF VALLEY



Roof valleys are mounted in contact point of roof slopes. They allow to properly pick up and dispose rainwater. Adequate stiffness of the valleys slows water runoff flowing into the gutter.

Another advantage is that they are easy to install, as the valley can be bent directly on the roof without the need for additional tools. A wide range of colors for optimum fitting the valley with the most popular shades of tiles available in the market.

LENGTHWISE CORRUGATED ROOF VALLEY FLASHING



- 🔧 **Material:** aluminum sheet with a thickness of 0.58 mm coated with polyester or copper imitation sheet with a thickness of 0.55 mm
- ⚙️ **Application:** drains the water and ensures tightness of the connection of two roof slopes
- 🛡️ **Coat protection:** polyethylene film
- ↔️ **Length:** 2 m
- 📏 **width:** 500 mm

product no	colour
HR04010001	black
HR04010002	brick red
HR04010003	brown
HR04010004	dark brown
HR04010005	chestnut
HR04010006	graphite
HR04010007	red
HR04010008	grey
HR04010098	copper imitation
HR04010099	copper

CROSS CORRUGATED ROOF VALLEY FLASHING IN ROLL



- 🔧 **Material:** aluminum sheet with a thickness of 0.58 mm coated with polyester or copper sheet with a thickness of 0.55 mm
- ⚙️ **Application:** drains the water and ensures tightness of the connection of two roof slopes
- 🛡️ **Coat protection:** polyethylene film
- ↔️ **Length:** 6 m
- 📏 **width:** 500 mm

product no	colour
HR04030001	black
HR04030002	brick red
HR04030003	brown
HR04030004	dark brown
HR04030005	chestnut
HR04030006	graphite
HR04030007	red
HR04030008	grey
HR04030098	copper imitation



CLAMPS FOR **MOUNTING ROOF VALLEY**

Clamps are used for non-invasive attachment of the roof valley to the formwork or battens.



CLAMPS FOR MOUNTING THE CROSS CORRUGATED ROOF VALLEY



- Material: aluminum sheet with a thickness of 0.58 mm or copper sheet with a thickness of 0.55 mm
- Application: fixing the roof valley

product no	package		colour
	box [pcs]	pallet [pcs]	
HR04040001	50	480	black
HR04040002	50	480	brick red
HR04040003	50	480	brown
HR04040004	50	480	dark brown
HR04040005	50	480	chestnut
HR04040006	50	480	graphite
HR04040007	50	480	red
HR04040008	50	480	grey
HR04040098	50	480	copper imitation
HR04040099	50	480	copper

CLAMPS FOR MOUNTING THE LONGITUDINALLY CORRUGATED ROOF VALLEY



- Material: aluminum sheet with a thickness of 0.58 mm or copper sheet with a thickness of 0.55 mm
- Application: fixing the roof valley

product no	package		colour
	box [pcs]	pallet [pcs]	
HR04050001	50	480	black
HR04050002	50	480	brick red
HR04050003	50	480	brown
HR04050004	50	480	dark brown
HR04050005	50	480	chestnut
HR04050006	50	480	graphite
HR04050007	50	480	red
HR04050008	50	480	grey
HR04050098	50	480	copper imitation
HR04050099	50	480	copper

SEALING WEDGES **AND EXPANDING TAPE**

Wedges and expanding tapes are used to seal the contact place of the valley and roof tiles.

Valley SEALING WEDGE



- Material: polyurethane foam with adhesive tape
- Application: sealing the side of the roof valley connections with the roof slope
- Notes: other heights of wedges also possible

product no	dimensions [mm] height x length	package		colour
		box [pcs]	pallet [pcs]	
HR04065502	55 x 1000	100	2000	brick red
HR04065503	55 x 1000	100	2000	brown
HR04065506	55 x 1000	100	2000	graphite

EXPANDING TAPE



- Material: polyurethane foam impregnated with an acrylic solution
- Application: expanding tapes are an alternative to sealing wedges and are used to seal the contact place of the valley and roof tiles
- Roll length: 5 m

product no	dimensions [mm] height* x length	package	colour
		box [pcs]	
HR04074001	40 x 20	15	black
HR04075001	50 x 20	15	black

*tape height after expansion



EAVES

21	EAVES COMBS
22	EAVES GRILLE
22	EAVES STRIPE

EAVES COMBS

Combs protect the open space area of the eaves of the roof from the access of birds, rodents and insects to prevent mechanical damage to the insulation.

They ensure the free flow of air from the eaves towards the ridge. The wide range of heights of combs' teeth allows them to be adjusted to different profiles of tiles. Available colors allow for the adjustment of the combs to the colours of the leading roof coverings manufacturers.

EAVES COMBS

- 📏 **Material:** dyed polypropylene
- ⚙️ **Application:** protecting the eaves area
- ↔️ **Length:** 1 m

product no	comb height [mm]	package		colour
		box [pcs]	pallet [pcs]	
HR05015501	55	100	6000	black
HR05015502	55	100	6000	brick red
HR05015503	55	100	6000	brown
HR05018001	80	50	4000	black
HR05018002	80	50	4000	brick red
HR05018003	80	50	4000	brown
HR05011001	100	50	4000	black
HR05011002	100	50	4000	brick red
HR05011003	100	50	4000	brown

EAVES COMBS WITH A VENTILATION GRILLE

- 📏 **Material:** dyed polypropylene
- ⚙️ **Application:** protecting the eaves area
- 📏 **Ventilation grille height:** 25 mm
- ↔️ **Length:** 1 m

product no	comb height [mm]	package		colour
		box [pcs]	pallet [pcs]	
HR05026001	60	60	960	black
HR05026002	60	60	960	brick red
HR05026003	60	60	960	brown

EAVES VENTILATION GRILLE

Grille allows free air flow, increasing the efficiency of roof ventilation. It replaces an additional batten and prevents birds, rodents and large insects from getting under the roof surface.

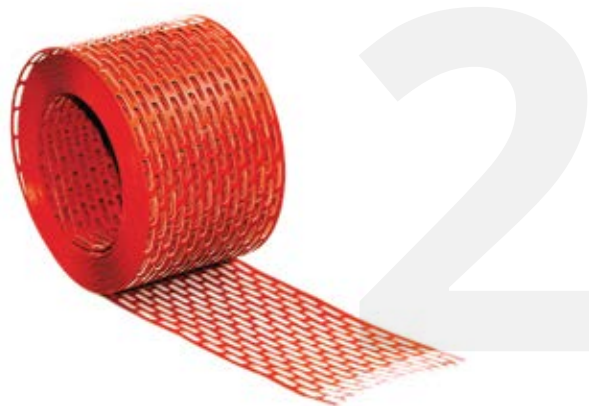


- 📄 **Material:** dyed polypropylene
- ⚙️ **Application:** protecting the eaves area
- 📏 **Ventilation grille height:** 25 mm
- ↔️ **Length:** 1 m

product no	package		colour
	box [pcs]	pallet [pcs]	
HR05036001	30	1800	black
HR05036002	30	1800	brick red
HR05036003	30	1800	brown

BIRD PROTECTION GRILLE

Grilles effectively protect against birds, rodents and large insects, while allowing air to ventilate the space under the roof slope. Different height of the grilles allow you to adjust them to different sizes of slots.



- 📄 **Material:** dyed polypropylene
- ⚙️ **Application:** protection of the roof eaves
- ↔️ **Roll length:** 5 m

product no	width [mm]	package		colour
		box [pcs]	pallet [pcs]	
HR05048001	80	20	840	black
HR05048002	80	20	840	brick red
HR05048003	80	20	840	brown
HR05041001	100	20	840	black
HR05041002	100	20	840	brick red
HR05041003	100	20	840	brown

EAVES STRIPE

Eaves stripes are used to secure the front part of the eaves against the ingress of rain and wind-blown snow under the roof surface.

EAVES STRIPE IN ROLL



- 📄 **Material:** copper or high quality aluminum coated with paint
- ⚙️ **Application:** protection of the roof eaves
- ↔️ **Roll length:** 10 m

product no	width [mm]	package		colour
		box [pcs]	pallet [pcs]	
HR05060001	230	4	168	black
HR05060002	230	4	168	brick red
HR05060003	230	4	168	brown
HR05060004	230	4	168	cemnobrown
HR05060005	230	4	168	chestnut
HR05060006	230	4	168	graphite
HR05060007	230	4	168	red
HR05060008	230	4	168	grey
HR05060098	230	4	168	copper imitation
HR05060099	230	4	168	copper

A black and white photograph showing a close-up of a person's hands, wearing white work gloves, installing a roof tile. The tile is being secured onto a wooden batten. The background shows other roof tiles and the structure of the roof.

ROOF TILE **CLAMPS AND CLIPS**

24

RIDGE TILE CLAMPS

25-26

ROOF TILE CLIPS

RIDGE TILE CLAMPS

At the point of the roof slope crossing (ridge and corners) ridge tiles are mounted, attached to the ridge batten with the use of specially contoured clamps.

They are made of aluminum, which guarantees the stability of attachment, the clamps allow quick and secure installation. The colour of the clamp can match the color of roof covering, so that it is almost invisible.

🔧 **Material:** powder coated aluminum

📦 **package:** 50 pcs

▲ **Notes:** you can order the clamps for most ridge tiles available in the market. Full range of types and colours of clamps available upon request.

product no*	producer	ridge tile type
HR060101_	Erlus	Ridge Tile no 18
HR060102_	Koramic	Ridge Tile no 11
HR060103_	Koramic	GE 20
HR060104_	Koramic	Ridge Tile no 1
HR060105_	Koramic	Ridge Tile no 2
HR060106_	Koramic	Ridge Tile no 3
HR060107_	Meyer-Holsen	Basic ridge tile
HR060108_	Röben / Jungmeier	Basic ridge tile
HR060109_	Tondach / Meindl	Basic ridge tile

* The last two digits of the product number, should be supplemented by a code of the colour:

02 - brick red
04 - dark brown
06 - graphite



ERLUS RIDGE TILE NO 18



KORAMIC RIDGE TILE NO 11



KORAMIC GE 20



KORAMIC RIDGE TILE NO 1



KORAMIC RIDGE TILE NO 2



KORAMIC RIDGE TILE NO 3



MEYER-HOLSEN BASIC RIDGE TILE



ROBEN/JUNGMEIER BASIC RIDGE TILE



TONDACH/MEINDL BASIC RIDGE TILE

ROOF TILE CLIPS

Clips are used for quick and safe installation of ceramic and cement tiles.

They increase the roof's resistance to the wind and snow. Available in several versions, differing in the method of installation and type of coverage.

CLIPS FOR CEMENT U-TILE

- Material: steel wire coated with corrosion protection
- Application: fixing tiles



product no	name	package [pcs]
HR07010100	small	100
HR07010200	big	100

CLIPS FOR CEMENT TILE NORDMARK (EURONIT, BRASS)

- Material: steel wire coated with corrosion protection
- Application: fixing tiles



product no	name	package [pcs]
HR07020200	Nord II – rectangular	100
HR07020300	Nord III – semicircular	100

CLIPS FOR CERAMIC TILE CLIP– HR416

- Material: steel wire coated with corrosion protection
- Application: fixing tiles



product no	package [pcs]
HR07030100	100

UNIVERSAL CLIP „J/435” FOR CERAMIC TILE – HR-J

- Material: steel wire coated with corrosion protection
- Application: fixing tiles



product no	Name	patch thickness [mm]	package [pcs]
HR07040100	HR-J-1	40	100
HR07040200	HR-J-2	50	100

CLIPS FOR

CERAMIC TILE – HR417



- Material: steel wire coated with corrosion protection
- Application: fixing tiles

product no	clip length [mm]	package [pcs]
HR07052800	280	100
HR07053200	320	100
HR07053400	340	100
HR07053600	360	100

CLIPS FOR

CERAMIC TILE – HR409



- Material: steel wire coated with corrosion protection
- Application: fixing tiles

product no	dimensions [mm]	package [pcs]
HR07060100	48 x 95	100
HR07060200	50 x 50	100
HR07060300	65 x 75	100
HR07060400	65 x 85	100
HR07060500	75 x 85	100

BIBER/PLAIN TILE CLIP – HR415



- Material: galvanized steel strip
- Application: fixing tiles

product no	biber tile thickness [mm]	patch thickness [mm]	package [pcs]
HR07070100	14 - 17	40	100

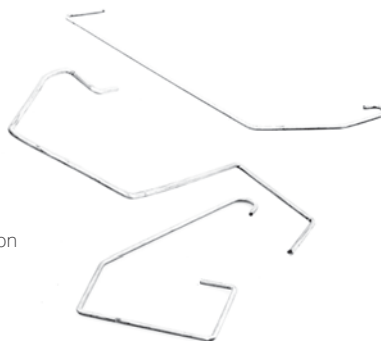
CUT TILE CLIP – HR513



- Material: stainless steel V2A
- Application: fixing cut tiles
- Wire length: 400 mm

product no	name	package [pcs]
HR07080100	HR513	100

CERAMIC MONK-TYPE TILE CLIP



- Material: steel wire coated with corrosion protection
- Application: fixing tiles

product no	version	package [pcs]
HR07090100	I	100
HR07090200	II	100
HR07090300	II	100

A photograph of a grey tiled roof with a central chimney. The chimney is a tall, dark grey structure with a flat top. The roof tiles are arranged in a regular pattern. The sky is a light, overcast grey.

ROOF SAFETY

28-30

CHIMNEY STEPS AND ROOF WALKWAY PLATFORMS

31-32

FASTENING ELEMENTS

ROOF SAFETY

Roof safety elements are important equipment of the roof for easy and safe movement on it.

ACCESS TO THE ROOF

The accessory allows easy and quick access to ventilation chimney and allows safe carrying out service and maintenance work on the roof.



ROOF STEPS AND ROOF WALKWAY PLATFORMS



ROOF STEP



- 🔧 **Material:** galvanized powder coated steel
- ⚙️ **Application:** safe roof access

product no	step size [mm]	colour	package	
			box [pcs]	pallet [pcs]
HR08010001	240x160	black	5	200
HR08010002	240x160	brick red	5	200
HR08010003	240x160	brown	5	200
HR08010005	240x160	chestnut	5	200
HR08010006	240x160	graphite	5	200
HR08010007	240x160	red	5	200
HR08010000	240x160	galvanized	5	200

ROOF WALKWAY PLATFORM



- 🔧 **Material:** galvanized powder coated steel
- ⚙️ **Application:** safe roof access
- ↔️ **Width lawy:** 250 mm

product no*	platform length [mm]	material	package	
			box [pcs]	pallet [pcs]
HR080240_	400	galvanized steel	1	400
HR080280_	800	galvanized steel	1	250
HR080210_	1000	galvanized steel	1	125
HR080215_	1500	galvanized steel	1	100
HR080220_	2000	galvanized steel	1	100
HR080225_	2500	galvanized steel	1	100
HR080230_	3000	galvanized steel	1	100

* The last two digits of the product should be replaced by a code of the colour:

- 01 – black
- 02 – brick red
- 03 – brown
- 05 – chestnut
- 06 – graphite
- 07 – red
- 00 – galvanized

ROOF STEPS

ROOF STEP

FOR ROOF TILES - SET

- 🔧 **Material:** galvanized, powder coated steel, with polyurethane underneath
- ⚙️ **Application:** safe roof access
- ↔️ **step size:** 24 x 16 cm
- 📦 **The set includes:** a step 2 pcs, a bracket 2 pcs, mounting screws 1 set



*For 400 mm bracket, total thickness of batten and tile must not exceed 56 mm
 **For 450 mm bracket, total thickness of batten and tile must not exceed 61 mm

product no	bracket [mm]	colour	package box [pcs]
HR08114001	400*	black	2
HR08114002	400*	brick red	2
HR08114003	400*	brown	2
HR08114005	400*	chestnut	2
HR08114006	400*	graphite	2
HR08114007	400*	red	2
HR08114000	400*	galvanized	2
HR08114501	450**	black	2
HR08114502	450**	brick red	2
HR08114503	450**	brown	2
HR08114505	450**	chestnut	2
HR08114506	450**	graphite	2
HR08114507	450**	red	2
HR08114500	450**	galvanized	2

ROOF STEP

FOR ROOFING SHEETS - SET

- 🔧 **Material:** galvanized, powder coated steel, with polyurethane underneath
- ⚙️ **Application:** safe roof access
- ↔️ **step size:** 24 x 16 cm
- 📦 **The set includes:** a step 2 pcs, a bracket 2 pcs, mounting screws 1 set



product no	bracket [mm]	colour	package box [pcs]
HR08123501	350	black	2
HR08123502	350	brick red	2
HR08123503	350	brown	2
HR08123505	350	chestnut	2
HR08123506	350	graphite	2
HR08123507	350	red	2
HR08123500	350	galvanized	2
HR08124001	400	black	2
HR08124002	400	brick red	2
HR08124003	400	brown	2
HR08124005	400	chestnut	2
HR08124006	400	graphite	2
HR08124007	400	red	2
HR08124000	400	galvanized	2

WALKWAY PLATFORMS

WALKWAY PLATFORM

FOR ROOF TILES - SET

- 🔧 **Material:** galvanized, powder coated steel, with polyurethane underneath
- ⚙️ **Application:** safe roof access
- ↔️ **Platform width:** 25 cm
- 📏 **Bracket:** 40 cm or 45 cm
- 📦 **The set includes:** a roof walkway 1 piece, a bracket 2 pcs, a cradle 2 pcs, mounting screws 1 set



*For 400 mm bracket, total thickness of batten and tile must not exceed 56 mm
 **for 450 mm bracket, total thickness of batten and tile must not exceed 61 mm

product no bracket 400 mm*	product no bracket 450 mm**	platform length [cm]	colour	package box [pcs]
HR08214001	HR08224001	40	black	1
HR08214002	HR08224002	40	brick red	1
HR08214003	HR08224003	40	brown	1
HR08214005	HR08224005	40	chestnut	1
HR08214006	HR08224006	40	graphite	1
HR08214007	HR08224007	40	red	1
HR08214000	HR08224000	40	galvanized	1
HR08218001	HR08228001	80	black	1
HR08218002	HR08228002	80	brick red	1
HR08218003	HR08228003	80	brown	1
HR08218005	HR08228005	80	chestnut	1
HR08218006	HR08228006	80	graphite	1
HR08218007	HR08228007	80	red	1
HR08218000	HR08228000	80	galvanized	1

WALKWAY PLATFORM

FOR ROOFING SHEETS - SET

- 🔧 **Material:** galvanized, powder coated steel, with polyurethane underneath
- ⚙️ **Application:** safe roof access
- ↔️ **Platform width:** 25 cm
- 📦 **The set includes:** a roof walkway 1 piece, a bracket 2 pcs, a cradle 2 pcs, mounting screws 1 set



product no bracket 350 mm	product no bracket 400 mm	platform length [cm]	colour	package box [pcs]
HR08234001	HR08244001	40	black	1
HR08234002	HR08244002	40	brick red	1
HR08234003	HR08244003	40	brown	1
HR08234005	HR08244005	40	chestnut	1
HR08234006	HR08244006	40	graphite	1
HR08234007	HR08244007	40	red	1
HR08234000	HR08244000	40	galvanized	1
HR08238001	HR08248001	80	black	1
HR08238002	HR08248002	80	brick red	1
HR08238003	HR08248003	80	brown	1
HR08238005	HR08248005	80	chestnut	1
HR08238006	HR08248006	80	graphite	1
HR08234007	HR08248007	80	red	1
HR08234000	HR08248000	80	galvanized	1

FASTENING ELEMENTS FOR FIXING ROOF STEPS/WALKWAY PLATFORMS

ROOF WALKWAY CONNECTOR



- Material: galvanized steel
- Application: connecting of roof walkways

ROOF WALKWAY FASTENER (CRADLE)



- Material: galvanized steel
- Application: fixing walkways or steps to brackets

ROOF WALKWAY PLATFORMS/ROOF STEPS BRACKET FOR ROOF TILES



- Material: galvanized steel
- Application: Fixing platforms or steps for roof cement or ceramic tiles

product no	colour	package	
		box [pcs]	pallet [pcs]
HR08030001	black	10	4000
HR08030002	brick red	10	4000
HR08030003	brown	10	4000
HR08030005	chestnut	10	4000
HR08030006	graphite	10	4000
HR08030007	red	10	4000
HR08030000	galvanized	10	4000

product no	colour	package	
		box [pcs]	pallet [pcs]
HR08040001	black	10	500
HR08040002	brick red	10	500
HR08040003	brown	10	500
HR08040005	chestnut	10	500
HR08040006	graphite	10	500
HR08040007	red	10	500
HR08040000	galvanized	10	500

product no	bracket [mm]	colour	package	
			box [pcs]	pallet [pcs]
HR08054001	400*	black	10	250
HR08054002	400*	brick red	10	250
HR08054003	400*	brown	10	250
HR08054005	400*	chestnut	10	250
HR08054006	400*	graphite	10	250
HR08054007	400*	red	10	250
HR08054000	400*	galvanized	10	250
HR08054501	450**	black	10	250
HR08054502	450**	brick red	10	250
HR08054503	450**	brown	10	250
HR08054505	450**	chestnut	10	250
HR08054506	450**	graphite	10	250
HR08054507	450**	red	10	250
HR08054500	450**	galvanized	10	250

ROOF WALKWAY PLATFORMS/ROOF STEPS BRACKET FOR BIBER TILES



- Material: galvanized steel
- Application: fixing walkways or steps to ceramic tiles

ROOF WALKWAY PLATFORMS/ROOF STEPS BRACKET FOR ROOFING SHEETS



- Material: galvanized steel
- Application: fixing platforms or steps to roofing sheets

product no	colour	package	
		box [pcs]	pallet [pcs]
HR08060001	black	10	250
HR08060002	brick red	10	250
HR08060003	brown	10	250
HR08060005	chestnut	10	250
HR08060006	graphite	10	250
HR08060007	red	10	250
HR08060000	galvanized	10	250

product no	bracket length [mm]	colour	package	
			box [pcs]	pallet [pcs]
HR08073501	350	black	10	250
HR08073502	350	brick red	10	250
HR08073503	350	brown	10	250
HR08073505	350	chestnut	10	250
HR08073506	350	graphite	10	250
HR08073507	350	red	10	250
HR08073500	350	galvanized	10	250
HR08074001	400	black	10	250
HR08074002	400	brick red	10	250
HR08074003	400	brown	10	250
HR08074005	400	chestnut	10	250
HR08074006	400	graphite	10	250
HR08074007	400	red	10	250
HR08074000	400	galvanized	10	250

*For 400 mm bracket, total thickness of batten and tile must not exceed 56 mm

**For 450 mm bracket, total thickness of batten and tile must not exceed 61 mm

FASTENING ELEMENTS FOR FIXING ROOF STEPS/WALKWAY PLATFORMS

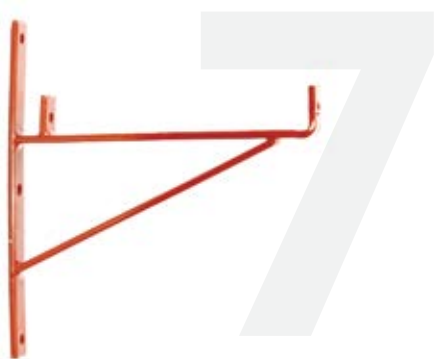
UNIVERSAL ROOF WALKWAY PLATFORMS/ROOF STEPS BRACKET



- Material: galvanized steel
- Application: fixing platforms or steps to shingles, flat and trapezoidal sheets

product no	colour	package	
		box [pcs]	pallet [pcs]
HR08080001	black	10	500
HR08080002	brick red	10	500
HR08080003	brown	10	500
HR08080005	chestnut	10	500
HR08080006	graphite	10	500
HR08080007	red	10	500
HR08080000	galvanized	10	500

WALL ROOF WALKWAY PLATFORM FASTENER



- Material: galvanized steel
- Application: fixing platforms to chimney

product no	colour	package	
		box [pcs]	pallet [pcs]
HR08090001	black	10	500
HR08090002	brick red	10	500
HR08090003	brown	10	500
HR08090005	chestnut	10	500
HR08090006	graphite	10	500
HR08090007	red	10	500
HR08090000	galvanized	10	500

A black and white photograph of a roof with a grid of tiles. Several dark, conical snow protection fasteners are installed across the roof surface. The background is a light, overcast sky.

SNOW PROTECTION

35

SNOW PROTECTION

36-37

FASTENERS FOR SNOW PROTECTION FENCES

37

SNOW PROTECTION BARRIER

SNOW PROTECTION

Snow guards are installed to protect the gutters and the surrounding of buildings against snow abruptly falling down during a thaw.

The elements of snow protection are used to prevent excessive sliding of snow and maintain masses of snow on the roof, protecting gutters and the surrounding of the building against damage.

The best solution is to use a cascade system of protection – snow guards in conjunction with fences. Colour of the elements can be matched to colours of the most popular roofing.



SNOW GUARD

Snow guards are installed to protect the gutters and the surrounding of buildings against snow abruptly falling down during a thaw.



SNOW GUARD

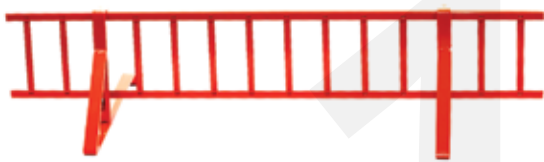


- 🔧 **Material:** galvanized, powder coated steel
- ⚙️ **Application:** snow protection
- 📏 **Height of the profile holding snow:** 65 mm
- ↔️ **Width:** 34 mm

product no	type of roofing	colour	package	
			box [pcs]	pallet [pcs]
HR09010002	Flat, trapezoidal and tile roofing sheets	brick red	100	2000
HR09010004		dark brown	100	2000
HR09010005		chestnut	100	2000
HR09010006		graphite	100	2000

SNOW PROTECTION FENCES

SNOW PROTECTION FENCE



- 🔧 **Material:** hot dip galvanized angle and sheet
- ⚙️ **Application:** snow protection
- 📏 **Fence height:** 15 cm

product no	fence length [cm]	colour	package	
			box [pcs]	pallet [pcs]
HR09022001	200	black	10	200
HR09022002	200	brick red	10	200
HR09022003	200	brown	10	200
HR09022004	200	dark brown	10	200
HR09022005	200	chestnut	10	200
HR09022006	200	graphite	10	200
HR09022007	200	red	10	200
HR09022000	300	galvanized	10	200
HR09023001	300	black	6	204
HR09023002	300	brick red	6	204
HR09023003	300	brown	6	204
HR09023004	300	dark brown	6	204
HR09023005	300	chestnut	6	204
HR09023006	300	graphite	6	204
HR09023007	300	red	6	204
HR09023000	300	galvanized	6	204

Snow fences help prevent dangerous movement of snow and ice on the roof.

The number of mounting brackets must be chosen depending on the angle of the roof and the geographical region determining the amount of snowfall. It is possible to connect the fences to create longer strings by using suitable connectors. A wide range of colours allows to match the color components of roofing.

SNOW FENCES CONNECTOR



- 🔧 **Material:** hot dip galvanized sheet
- ⚙️ **Application:** connecting snow protection fences

product no	connector size [cm]	colour	package	
			box [pcs]	pallet [pcs]
HR09030001	2.5 x 5.5	black	10	7500
HR09030002	2.5 x 5.5	brick red	10	7500
HR09030003	2.5 x 5.5	brown	10	7500
HR09030004	2.5 x 5.5	dark brown	10	7500
HR09030005	2.5 x 5.5	chestnut	10	7500
HR09030006	2.5 x 5.5	graphite	10	7500
HR09030007	2.5 x 5.5	red	10	7500
HR09030000	2.5 x 5.5	galvanized	10	7500

FASTENERS FOR SNOW PROTECTION FENCES



To ensure correct fixing of fences, well-chosen brackets are needed.

FENCE BRACKET FOR ROOF TILES

🔧 **Material:** hot dip galvanized, powder coated steel

⚙️ **Application:** fixing snow protection fences to cement and ceramic tiles

↔️ **Width:** 25 mm

Himalayan Roof® fasteners are adapted to most roofing coverings, providing a reliable and durable protection against snow. The wide range of colours corresponds to the colours of the most popular roofing.



product no	colour	package	
		box [pcs]	pallet [pcs]
HR09040001	black	10	250
HR09040002	brick red	10	250
HR09040003	brown	10	250
HR09040004	dark brown	10	250
HR09040005	chestnut	10	250
HR09040006	graphite	10	250
HR09040007	red	10	250
HR09040000	galvanized	10	250

FENCE BRACKET FOR BIBER ROOF TILES



🔧 **Material:** hot dip galvanized, powder coated steel

⚙️ **Application:** fixing snow protection fences to cement and ceramic tiles

↔️ **Width:** 25 mm

product no	colour	package	
		box [pcs]	pallet [pcs]
HR09050001	black	10	250
HR09050002	brick red	10	250
HR09050003	brown	10	250
HR09050004	dark brown	10	250
HR09050005	chestnut	10	250
HR09050006	graphite	10	250
HR09050007	red	10	250
HR09050000	galvanized	10	250



FASTENERS FOR SNOW PROTECTION FENCES

FENCE BRACKET FOR ROOF SHEETS



- Material: hot dip galvanized, powder coated steel.
- Application: fixing snow protection fences to roof sheets
- Width: 25 mm

product no	type	colour	package [pcs]	
			box	pallet
HR09063501	350	black	10	250
HR09063502	350	brick red	10	250
HR09063503	350	brown	10	250
HR09063505	350	chestnut	10	250
HR09063506	350	graphite	10	250
HR09063507	350	red	10	250
HR09063500	350	galvanized	10	250
HR09064001	400	black	10	250
HR09064002	400	brick red	10	250
HR09064003	400	brown	10	250
HR09064004	400	chestnut	10	250
HR09064005	400	graphite	10	250
HR09064006	400	red	10	250
HR09064000	400	galvanized	10	250

UNIVERSAL FENCE BRACKET, FLAT



- Material: hot dip galvanized, powder coated steel
- Application: fixing snow protection fences to the shingles, flat and trapezoidal sheets.
- Width: 25 mm

product no	colour	package	
		box [pcs]	pallet [pcs]
HR09070001	black	10	250
HR09070002	brickred	10	250
HR09070003	brown	10	250
HR09070004	dark brown	10	250
HR09070005	chestnut	10	250
HR09070006	graphite	10	250
HR09070007	red	10	250
HR09070000	galvanized	10	250

SNOW STOPPER



- Material: hot dip galvanized, powder coated steel
- Application: protecting against sliding large masses of snow
- Width: 25 mm

product no	type	colour	package	
			box [pcs]	pallet [pcs]
HR09080002	TYPE A for tiles	brick red	20	250
HR09080003	TYPE A for tiles	brown	20	250
HR09080006	TYPE A for tiles	graphite	20	250
HR09080007	TYPE A for tiles	red	20	250
HR09080000	TYPE A for tiles	galvanized	20	250
HR09080102	TYPE B flat	brick red	20	250
HR09080103	TYPE B flat	brown	20	250
HR09080106	TYPE B flat	graphite	20	250
HR09080107	TYPE B flat	red	20	250
HR09080100	TYPE B flat	galvanized	20	250
HR09080202	TYPE C roofing sheet	brick red	20	250
HR09080203	TYPE C roofing sheet	brown	20	250
HR09080206	TYPE C roofing sheet	graphite	20	250
HR09080207	TYPE C roofing sheet	red	20	250
HR09080200	TYPE C roofing sheet	galvanized	20	250

SNOW PROTECTION BARRIER

Used on flat roofs covered with standing seam sheet metal (aluminum, steel, titanium-zinc or copper imitation) to prevent slipping of snow from the roof.

SNOW PROTECTION BARRIER



- Material: aluminium
- Application: snow protection

product no	pipe diameter [mm]	pipe length [m]	colour	package
				foil [pcs]
HR09090000	30	3	aluminum	10
HR09090006	30	3	graphite	10

SNOW BARRIER BRACKET



- Material: aluminium
- Application: fixing snow protection barriers

product no	hole diameter [mm]	number of holes	colour	package
				foil [pcs]
HR09100100	32	1	aluminum	10
HR09100106	32	1	graphite	10
HR09100200	32	2	aluminum	10
HR09100206	32	2	graphite	10

For proper installation, it is necessary to apply appropriate holders.



CHIMNEY VENTS

39

PRODUCTS FOR LOW-PROFILE METAL ROOF SHEETS

40

PRODUCTS FOR HIGH-PROFILE METAL ROOF SHEETS

41

PRODUCTS FOR CEMENT ROOF TILES

CHIMNEY VENTS



Chimney vents are used to get the ducts and ventilation drains through the roof slope.

The special design of chimneys increases the efficiency of ventilation and prevents water from rain or snow to get to the ventilation duct (adjustable angle and built-in level allow vertical positioning of the chimneys at the pitch of the roof slope from 5° to 45°).

PRODUCTS FOR LOW-PROFILE METAL ROOF SHEETS

CHIMNEY VENTS

✦ **Application:** getting ventilation ducts through the roof slope

📏 **Roof sheets type:** Arcelor Mittal (Armat) – Halny, Areco Sweden – Vivaldi, BALEXMETAL – Spektrum, Borga – Elegant, Lindab – LPAL, LPAN, Plannja – Regola, Regent, Smart, Scandic, Rapid, Pruszyński – Szafir, Rubin Plus, Ruukki – Monterrey, Decorrey, Finnera

ventilation duct diameter [mm]	uninsulated chimney	insulated chimney	colour	package
	product no			box [pcs]
ø 110	HR10011101	HR10021101	black	1
ø 150	HR10011501	HR10021501	black	1
ø 110	HR10011102	HR10021102	brick red	1
ø 150	HR10011502	HR10021502	brick red	1
ø 110	HR10011103	HR10021103	brown	1
ø 150	HR10011503	HR10021503	brown	1
ø 110	HR10011106	HR10021106	graphite	1
ø 150	HR10011506	HR10021506	graphite	1
ø 110	HR10011110	HR10021110	anthracite	1
ø 150	HR10011510	HR10021510	anthracite	1
ø 110	HR10011109	HR10021109	red	1
ø 150	HR10011509	HR10021509	red	1



insulated chimney

uninsulated chimney



self-adjusting chimney cowl



rotary chimney



flat air vent



aerial pass through
śr. ø85 – ø22

ventilation duct diameter [mm]	self-adjusting chimney cowl	rotary chimney	flat air vent	aerial pass through śr. ø85 – ø22	colour	package
	product no				box [pcs]	
ø 150	HR10030101	HR10040101	HR10050101	HR10060101	black	1
ø 150	HR10030102	HR10040102	HR10050102	HR10060102	brick red	1
ø 150	HR10030103	HR10040103	HR10050103	HR10060103	brown	1
ø 150	HR10030106	HR10040106	HR10050106	HR10060106	graphite	1
ø 150	HR10030110	HR10040110	HR10050110	HR10060110	anthracite	1
ø 150	HR10030109	HR10040109	HR10050109	HR10060109	red	1

PRODUCTS FOR HIGH-PROFILE METAL ROOF SHEETS



CHIMNEY VENTS

🌀 **Application:** getting ventilation ducts through the roof slope

📏 **Roof sheets type:** BLACHOTRAPEZ – Diamant Plus; BUDMAT – Aria, FINISH PROFILES – Cesar; PLANNJA – Royal, Flex, PRUSZYŃSKI – Arad, Kron; RUUKKI – Adamante, Kiara;

ventilation duct diameter [mm]	uninsulated chimney	insulated chimney	colour	package
	product no			box [pcs]
ø 110	HR10071101	HR10081101	black	1
ø 150	HR10071501	HR10081501	black	1
ø 110	HR10071102	HR10081102	brick red	1
ø 150	HR10071502	HR10081502	brick red	1
ø 110	HR10071103	HR10081103	brown	1
ø 150	HR10071503	HR10081503	brown	1
ø 110	HR10071106	HR10081106	graphite	1
ø 150	HR10071506	HR10081506	graphite	1
ø 110	HR10071110	HR10081110	anthracite	1
ø 150	HR10071510	HR10081510	anthracite	1
ø 110	HR10071109	HR10081109	red	1
ø 150	HR10071509	HR10081509	red	1

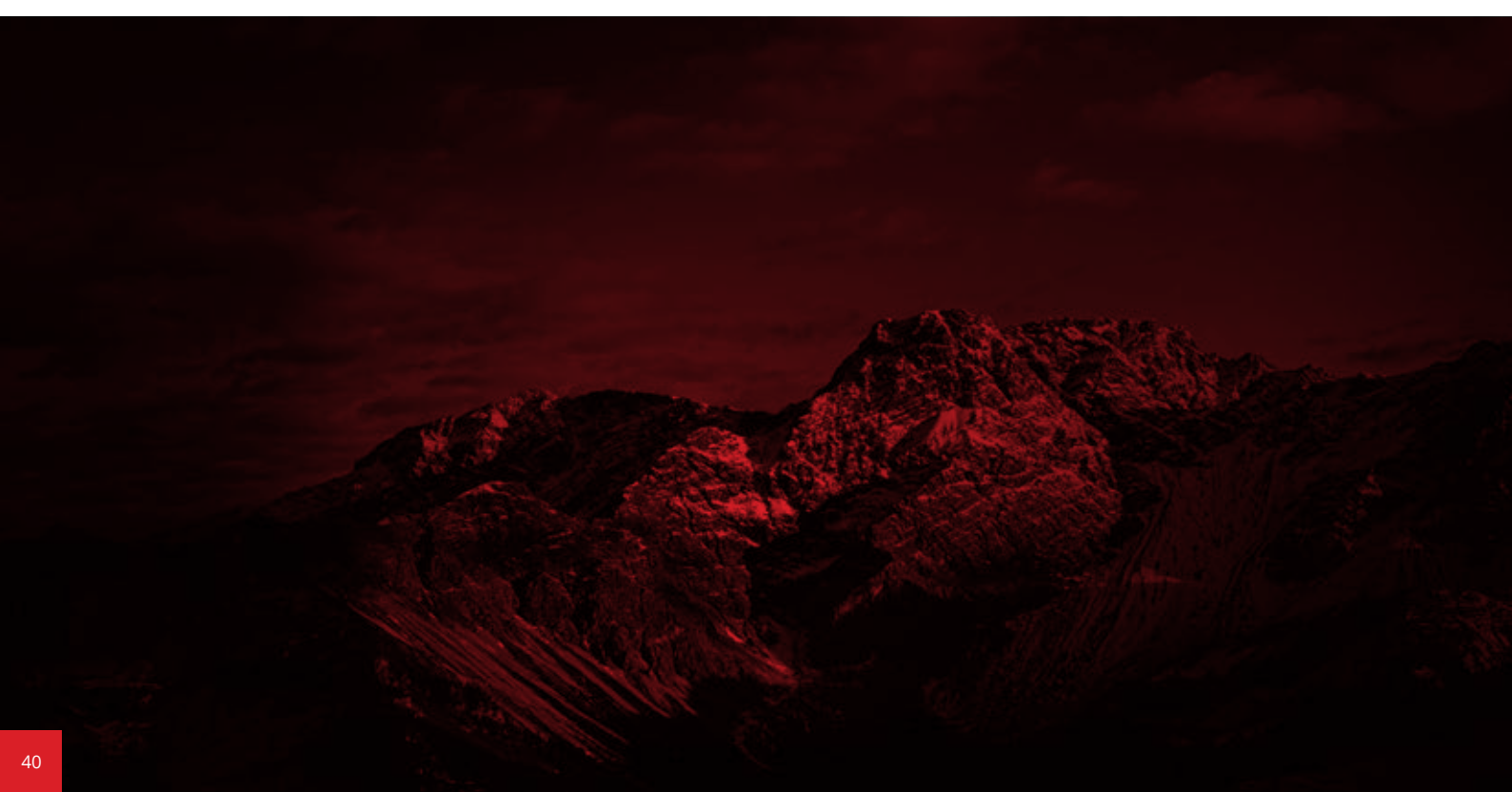


insulated chimney

uninsulated chimney



ventilation duct diameter [mm]	self-adjusting chimney cow	rotary chimney	flat air vent	aerial pass through sr. ø85 – ø22	colour	package
	product no					box [pcs]
ø 150	HR10030201	HR10040201	HR10050201	HR10060201	black	1
ø 150	HR10030202	HR10040202	HR10050202	HR10060202	brick red	1
ø 150	HR10030203	HR10040203	HR10050203	HR10060203	brown	1
ø 150	HR10030206	HR10040206	HR10050206	HR10060206	graphite	1
ø 150	HR10030210	HR10040210	HR10050210	HR10060210	anthracite	1
ø 150	HR10030209	HR10040209	HR10050209	HR10060209	red	1



PRODUCTS FOR CEMENT ROOF TILES



CHIMNEY VENTS

⚙️ **Application:** getting ventilation ducts through the roof slope

🏠 **Designating tiles:**

1: MONIER BRASS – Bałycka S, IBF – podwójna S, NELSKAMP – esówka S, PRODACH – podwójna esówka

2: MONIER BRASS – romańska, PRODACH – podwójna rzymska, BENDERS – Mecklenburger

3: EURONIT – profil S 4: MONIER BRASS – celycka 5: EURONIT – extra

ventilation duct diameter [mm]	uninsulated chimney	insulated chimney	colour	package
	*product no			box [pcs]
ø 110	HR1009_101	HR1010_101	black	1
ø 150	HR1009_501	HR1010_501	black	1
ø 110	HR1009_102	HR1010_102	brick red	1
ø 150	HR1009_502	HR1010_502	brick red	1
ø 110	HR1009_103	HR1010_103	brown	1
ø 150	HR1009_503	HR1010_503	brown	1
ø 110	HR1009_106	HR1010_106	graphite	1
ø 150	HR1009_506	HR1010_506	graphite	1
ø 110	HR1009_110	HR1010_110	anthracite	1
ø 150	HR1009_510	HR1010_510	anthracite	1
ø 110	HR1009_109	HR1010_109	red	1
ø 150	HR1009_509	HR1010_509	red	1



insulated chimney



uninsulated chimney

The missing digit in the catalogue number shall be chosen from the tiles list above.



ventilation duct diameter [mm]	self-adjusting chimney cowl	rotary chimney	flat air vent	aerial pass through śr. ø85 – ø22	colour	package
	*product no					box [pcs]
ø 150	HR1003_301	HR1004_301	HR1005_301	HR1006_301	black	1
ø 150	HR1003_302	HR1004_302	HR1005_302	HR1006_302	brick red	1
ø 150	HR1003_303	HR1004_303	HR1005_303	HR1006_303	brown	1
ø 150	HR1003_306	HR1004_306	HR1005_306	HR1006_306	graphite	1
ø 150	HR1003_310	HR1004_310	HR1005_310	HR1006_310	anthracite	1
ø 150	HR1003_309	HR1004_309	HR1005_309	HR1006_309	red	1

The missing digit in the catalogue number shall be chosen from the tiles list above.

A close-up photograph showing a hammer with a dark handle and a silver head driving a nail into a metal plate. The plate is secured to a wooden beam. The background is a blurred construction site.

TIMBER CONNECTORS

43-50

TIMBER CONNECTORS

50

LAG SCREWS FOR ROOF TIMBER CONSTRUCTION

50

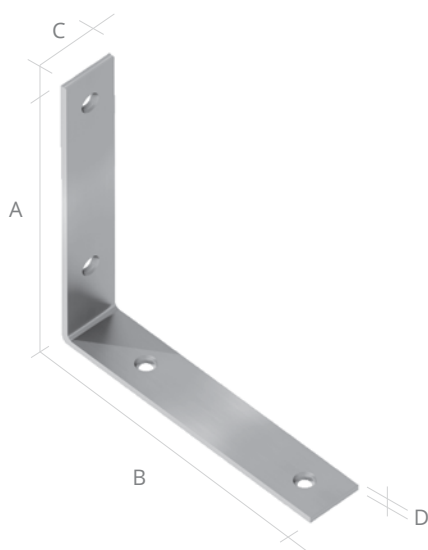
NAILS FOR TIMBER CONNECTORS

TIMBER CONNECTORS

Connectors for timber are widely used as connecting elements in different structural systems wood - wood , wood - concrete .

NARROW ANGLE BRACKET

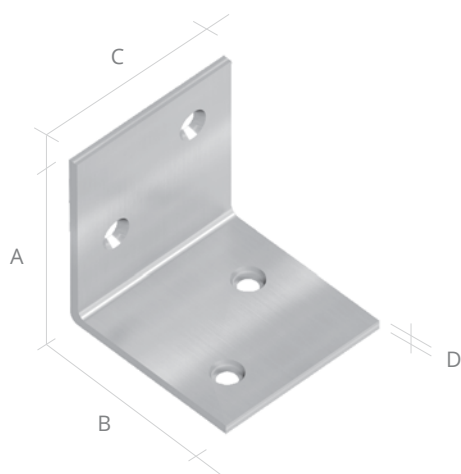
Material: sheet steel , galvanized after machining
Application: connecting wooden beams



product no	symbol no	dimensions [mm]			holes number		weight g/pcs	package pcs/pack
		A - B	C	D	Ø 4,5	Ø 6		
HR11010100	KW 1	27	16,5	2	4	-	12	200
HR11010200	KW 2	32	16,5	2	4	-	14,5	200
HR11010300	KW 3	42	16,5	2	4	-	19	150
HR11010400	KW 4	52	16,5	2	4	-	25	100
HR11010500	KW 5	62	16,5	2	4	-	30	100
HR11010600	KW 6	77	16,5	2	4	-	38	100
HR11010700	KW 7	92	19	2	4	-	53	100
HR11010800	KW 8	103	19	2	4	-	59	50
HR11010900	KW 9	105	19	4	4	-	121	50
HR11011000	KW 10	122	19	2	4	-	71	50
HR11011100	KW 11	125	20	5	-	4	186	50
HR11011200	KW 12	152	25	5	-	4	283	50

WIDE ANGLE BRACKET

Material: sheet steel , galvanized after machining
Application: connecting wooden beams

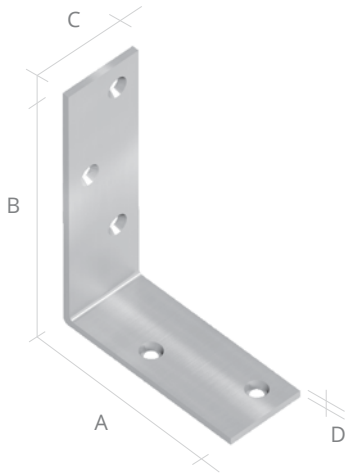


product no	symbol no	dimensions [mm]				holes number		weight g/pcs	package pcs/pack
		A	B	C	D	Ø 4,5	Ø 6		
HR11020100	KS 1	32	32	30	2	4	-	27	100
HR11020200	KS 2	42	42	40	2	4	-	49	100
HR11020300	KS 3	62	62	60	2	4	-	112	50
HR11020400	KS 4	42	28	75	2	-	5	76	50

TIMBER CONNECTOR

JOIST ANGLE

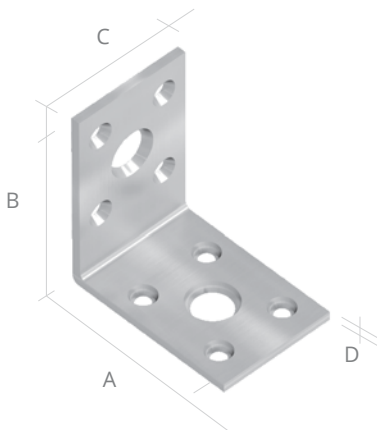
- Material: sheet steel , galvanized after machining
- Application: connecting wooden beams



product no	symbol no	dimensions [mm]				holes number			weight	package
		A	B	C	D	Ø 4,5	Ø 6	Ø 7	g/pcs	pcs/pack
HR11030100	KB 1	100	75	30	2,4	5	-	-	100	50
HR11030200	KB 2	100	50	50	4	-	5	-	220	40
HR11030300	KB 3	120	80	35	4	-	-	7	205	20
HR11030400	KB 4	180	120	40	5	-	-	7	204	25

CONNECTING ANGLE PLATE

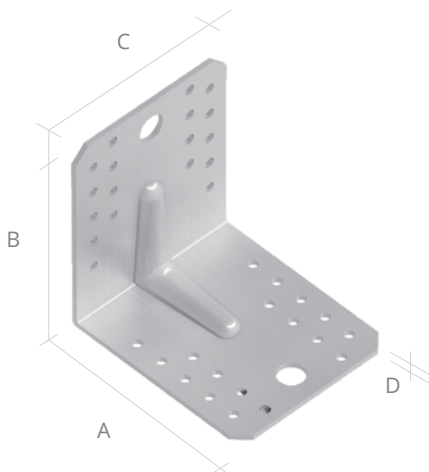
- Material: sheet steel , galvanized after machining
- Application: connecting wooden beams



product no	symbol no	dimensions [mm]				holes number					weight	package
		A	B	C	D	Ø 4,5	Ø 5	Ø 7	Ø 11	Ø 14	g/pcs	pcs/pack
HR11040100	KŁ 1	52	52	35	2,5	8	-	-	2	-	62	50
HR11040200	KŁ 2	72	72	55	2,5	-	18	-	2	-	143	50
HR11040300	KŁ 3	90	90	65	2,5	16	-	12	2	-	206	50
HR11040400	KŁ 4	105	105	90	2,5	-	36	-	-	2	342	50
HR11040500	KŁ 5	151	51	35	2,5	-	16	-	4	-	124	50

REINFORCED ANGLE BRACKET

- Material: sheet steel , galvanized after machining
- Application: connecting wooden beams



product no	symbol no	dimensions [mm]				holes number					weight	package
		A	B	C	D	Ø 4,5	Ø 5	Ø 7	Ø 11	Ø 14	g/pcs	pcs/pack
HR11050100	KPW 1	73	73	55	2,5	20	-	-	2	-	141	50
HR11050200	KPW 2	93	53	55	2,5	18	-	-	2	-	141	50
HR11050300	KPW 3	90	90	65	2,5	16	-	12	2	-	206	50
HR11050400	KPW 4	105	105	90	2,5	-	36	-	-	2	342	50

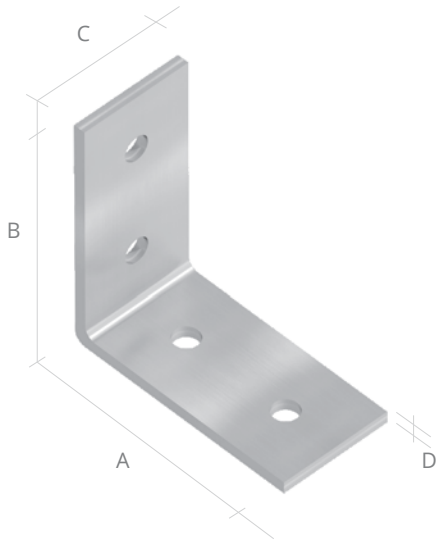
product no	symbol no	dimensions [mm]				holes number					weight	package
		A	B	C	D	Ø 4,5	Ø 5	Ø 10,2	Ø 12	Ø 13	g/pcs	pcs/pack
HR11050500	KPW 5	90	60	60	2,5	-	9	1	-	-	163	50
HR11050600	KPW 6	90	60	60	2,5	-	9	-	-	-	160	50
HR11050700	KPW 7	93	53	48	2,5	-	11	-	-	3	120	50
HR11050800	KPW 8	88	50	76	2,5	16	-	-	-	5	183	50
HR11050900	KPW 9	93	53	116	2,5	26	-	-	-	6	295	50
HR11051000	KPW 10	63	63	90	2,5	18	-	-	-	-	206	50

TIMBER CONNECTOR



NAIL PLATE ANGLE BRACKET

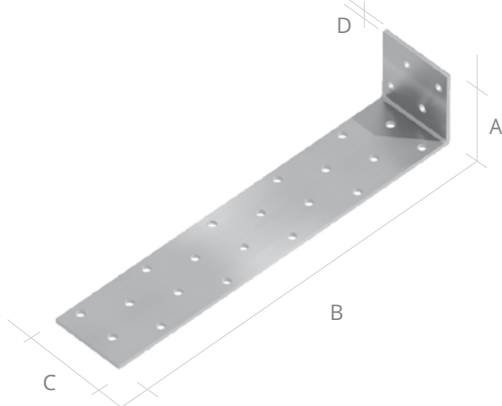
U **Material:** sheet steel , galvanized after machining
⚙ **Application:** connecting wooden beams



product no	symbol no	dimensions [mm]				holes number		weight g/pcs	package pcs/pack	
		wg wzoru	A	B	C	D	Ø 4,5			Ø 5
HR11060100	KP 1	I	42	42	20	2	4	-	24	100
HR11060200	KP 2	II	42	42	40	2	8	-	48	50
HR11060300	KP 3	III	42	42	60	2	12	-	72	50
HR11060400	KP 4	III	42	42	100	2	20	-	120	50
HR11060500	KP 5	IV	42	42	200	2	40	-	241	50
HR11060600	KP 6	III	52	52	40	2	8	-	62	50
HR11060700	KP 7	III	62	62	40	2	12	-	72	50
HR11060800	KP 8	III	62	62	60	2	18	-	108	50
HR11060900	KP 9	V	62	62	80	2	-	21	144	50
HR11061000	KP 10	V	62	62	100	2	-	27	180	50
HR11061100	KP 11	V	82	82	40	2	-	12	97	50
HR11061200	KP 12	III	82	82	60	2	24	-	145	50
HR11061300	KP 13	III	82	82	80	2	32	-	193	50
HR11061400	KP 14	III	102	102	60	2	30	-	181	40
HR11061500	KP 15	V	102	102	80	2	-	35	240	40
HR11061600	KP16	III	102	102	100	2	50	-	301	40
HR11061700	KP 17	V	162	162	60	2	-	40	289	40
HR11061800	KP 18	V	162	162	80	2	-	56	384	40

STRAP ANCHOR

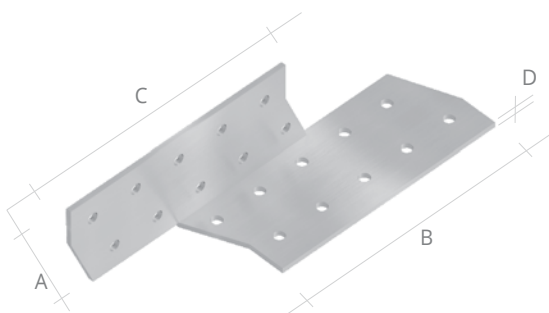
U **Material:** sheet steel , galvanized after machining
⚙ **Application:** connecting wooden beams



product no	symbol no	dimensions [mm]				holes number		weight g/pcs	package pcs/pack
		A	B	C	D	Ø 4,5	g/pcs		
HR11070100	KK 1	42	202	40	2	24	145	25	
HR11070200	KK 2	42	302	40	2	34	205	25	
HR11070300	KK 3	42	402	40	2	44	265	25	
HR11070400	KK 4	97	97	40	2	20	112	50	
HR11070500	KK 5	122	97	40	2	22	127	50	

RAFTER CONNECTOR

U **Material:** sheet steel , galvanized after machining
⚙ **Application:** connecting wooden beams



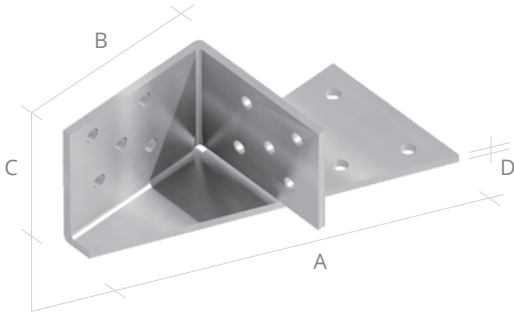
product no	symbol no	dimensions [mm]				holes number		weight g/pcs	package pcs/pack
		A	B	C	D	Ø 4,5	g/pcs		
HR11080100	ŁK 1 L	40	170	100	2	20	121	25	
HR11080200	ŁK 2 P	40	170	100	2	20	121	25	
HR11080300	ŁK 3 L	40	210	140	2	28	169	25	
HR11080400	ŁK 4 P	40	210	140	2	28	169	25	
HR11080500	ŁK 5 L	40	250	180	2	36	217	25	
HR11080600	ŁK 6 P	40	250	180	2	36	217	25	

TIMBER CONNECTOR



UNIVERSAL CONNECTOR

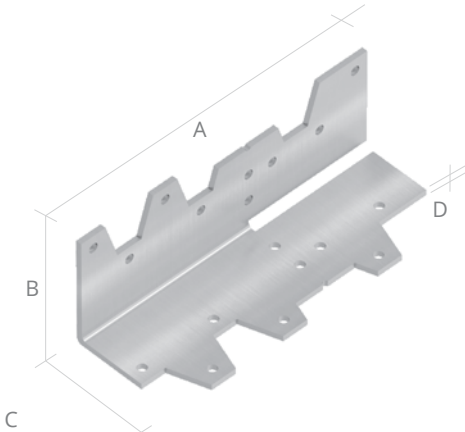
Material: sheet steel , galvanized after machining
Application: connecting wooden beams



product no	symbol no	dimensions [mm]				holes number		weight	package
		A	B	C	D	Ø 4,5		g/pcs	pcs/pack
HR11090100	ŁU 1 L	100	52	40	2,5	16		128	20
HR11090200	ŁU 2 P	100	52	40	2,5	16		128	20

FRAMING ANCHOR WITH BENDABLE TABS

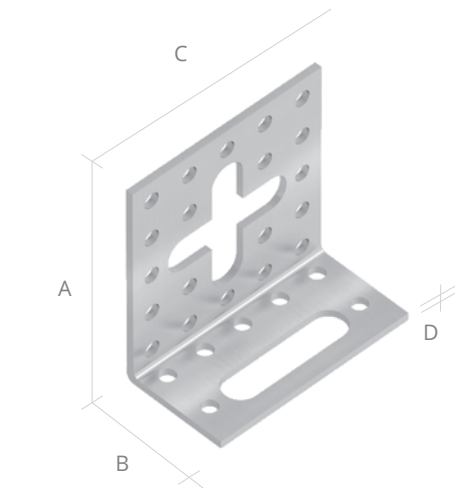
Material: sheet steel , galvanized after machining
Application: connecting wooden beams



product no	symbol no	dimensions [mm]				holes number		weight	package
		A	B	C	D	Ø 3,5	Ø 4	g/pcs	pcs/pack
HR11100100	KG 1	120	41,5	41,5	2	14	4	117	50

ADJUSTABLE ANGLE BRACKET

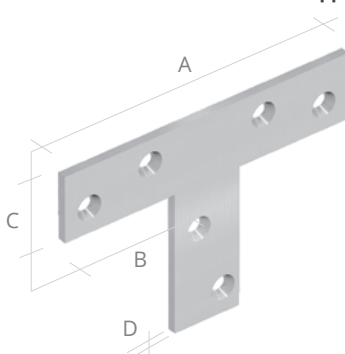
Material: sheet steel , galvanized after machining
Application: connecting wooden beams



product no	symbol no	dimensions [mm]				holes number					weight	package
		A	B	C	D	Ø 4,5	Ø 5	Ø 6	Ø 9	Ø 11	g/pcs	pcs/pack
HR11110100	KN 1	61	31	60	2	27	-	-	-	-	62	50
HR11110200	KN 2	59	40	59	2	-	12	-	2	1	101	50
HR11110300	KN 3	81	65	20	2	-	-	2	-	-	77	50

TYPE "T" BRACKET

Material: sheet steel , galvanized after machining
Application: connecting wooden beams



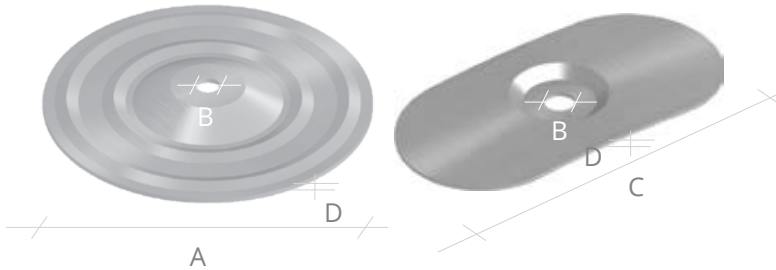
product no	symbol no	dimensions [mm]				holes number	weight	package
		A	B	C	D	Ø 3,5	g/pcs	pcs/pack
HR11120100	ŁT	70	50	16	2	6	25	50

TIMBER CONNECTOR



CLAMP DISK

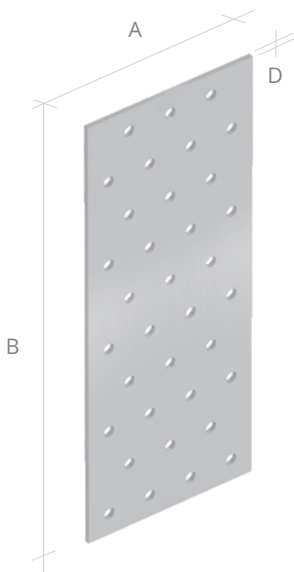
Material: sheet steel, galvanized after machining
Application: connecting wooden beams



product no	symbol no	dimensions [mm]				weight g/pcs	package pcs/pack
		A	B	C	D		
HR11130100	KD 1	Ø 70	Ø 5.0	-	0.5	15	200
HR11130200	KD 2 P	Ø 70	Ø 5.3	-	1	30	200
HR11130300	KD 2 W	Ø 70	Ø 5.3	-	1	30	200
HR11130400	KD 3 P	Ø 40	Ø 5.3	80	1	22	200
HR11130500	KD 3 W	Ø 40	Ø 6.8	80	1	22	200
HR11130600	KD 4	Ø 40	Ø 7.3	-	1	9.5	200
HR11130700	KD 5	Ø 50	Ø 5.0	-	1	15	200

NAIL PLATE

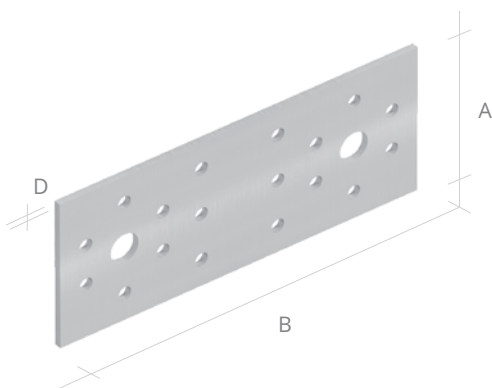
Material: sheet steel, galvanized after machining
Application: connecting wooden beams



product no	symbol no	dimensions [mm]			holes number		weight g/pcs	package pcs/pack
		A	B	C	Ø 4,5	Ø 5		
HR11140100	ŁP 1	40	80	2	8	-	48	50
HR11140200	ŁP 2	40	100	2	10	-	60	50
HR11140300	ŁP 3	40	120	2	-	9	72.6	50
HR11140400	ŁP 4	40	160	2	-	12	97	50
HR11140500	ŁP 5	50	180	2	-	18	136	50
HR11140600	ŁP 6	50	200	2	-	20	151	50
HR11140700	ŁP 7	50	240	2	-	24	181	50
HR11140800	ŁP 8	60	140	2	-	18	126	50
HR11140900	ŁP 9	60	160	2	-	20	144	50
HR11141000	ŁP 10	60	180	2	-	23	162	50
HR11141100	ŁP 11	60	200	2	-	25	181	50
HR11141200	ŁP 12	60	220	2	-	28	198	50
HR11141300	ŁP 13	60	240	2	-	30	217	50
HR11141400	ŁP 14	80	100	2	-	18	120	50
HR11141500	ŁP 15	80	140	2	-	25	168	50
HR11141600	ŁP 16	80	180	2	-	32	216	50
HR11141700	ŁP 17	80	200	2	-	35	240	50
HR11141800	ŁP 18	80	220	2	-	39	264	50
HR11141900	ŁP 19	80	240	2	-	42	288	50
HR11142000	ŁP 20	80	300	2	-	53	360	25
HR11142100	ŁP 21	100	200	2	-	45	300	25
HR11142200	ŁP 22	100	220	2	-	50	330	25
HR11142300	ŁP 23	100	240	2	-	54	360	25
HR11142400	ŁP 24	100	260	2	-	59	390	25
HR11142500	ŁP 25	100	300	2	-	68	450	20
HR11142600	ŁP 26	120	240	2	-	66	432	20
HR11142700	ŁP 27	120	300	2	-	83	540	20
HR11142800	ŁP 28	140	400	2	-	-	844	20
HR11142900	ŁP 29	200	200	2	-	-	603	20
HR11143000	ŁP 30	300	400	2	-	-	1809	20

SPECIAL PLATE TIE

Material: sheet steel, galvanized after machining
Application: connecting wooden beams



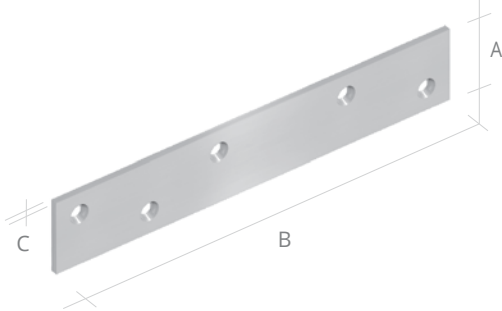
product no	symbol no	dimensions [mm]			holes number					weight g/pcs	package pcs/pack
		A	B	D	Ø 4,5	Ø 5	Ø 7	Ø 11	Ø 14		
HR11150100	ŁPS 1	100	35	2,5	8	-	-	2	-	62	50
HR11150200	ŁPS 2	140	55	2,5	-	18	-	2	-	143	50
HR11150300	ŁPS 3	180	40	2,5	16	-	-	4	-	129	50
HR11150400	ŁPS 4	176	65	2,5	16	-	12	2	-	206	50
HR11150500	ŁPS 5	210	90	2,5	-	36	-	-	2	342	50

TIMBER CONNECTOR



THICK PLATE TIE

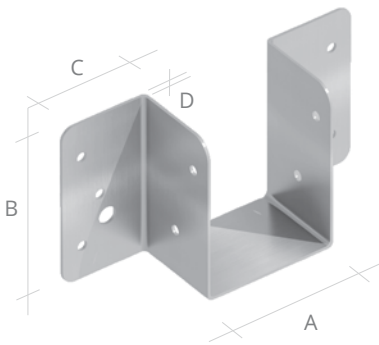
Material: sheet steel, galvanized after machining
Application: connecting wooden beams



product no	symbol no	dimensions [mm]			holes number		weight g/pcs	package pcs/pack
		A	B	C	Ø5	Ø7		
HR11160100	ŁG 1	170	30	2,5	5	-	100	50
HR11160200	ŁG 2	195	35	4,5	-	7	205	50

C-BRACKET

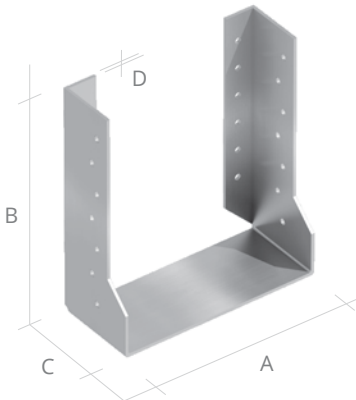
Material: sheet steel, galvanized after machining
Application: connecting wooden beams



product no	symbol no	dimensions [mm]				holes number		weight g/pcs	package pcs/pack
		A	B	C	D	Ø4	Ø7		
HR11170100	CP 1	50	63	35	1	10	2	80	25
HR11170200	CP 2	38	69	35	1	10	2	80	25
HR11170300	CP 3	32	72	35	1	10	2	80	25
HR11170400	CP 4	25	75,5	35	1	10	2	80	25

INTERNAL JOIST HANGER

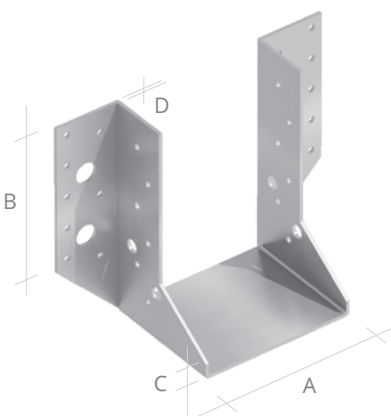
Material: sheet steel, galvanized after machining
Application: connecting wooden beams



product no	symbol no	dimensions [mm]					holes number	weight g/pcs	package pcs/pack
		A	B	C	D	E			
HR11180100	WBW 1	60	100	60	2	56	14	242	20
HR11180200	WBW 2	80	120	60	2	76	18	297	20
HR11180300	WBW 3	100	140	60	2	96	22	352	10
HR11180400	WBW 4	120	160	60	2	116	26	405	10
HR11180500	WBW 5	140	180	60	2	136	30	460	10

JOIST HANGER

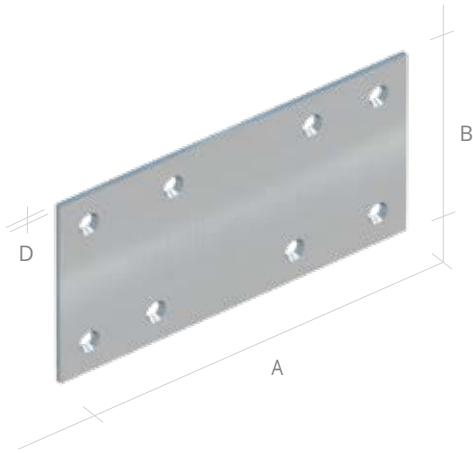
Material: sheet steel, galvanized after machining
Application: connecting wooden beams



product no	symbol no	dimensions [mm]				holes number			weight g/pcs	package pcs/pack
		A	B	C	D	Ø4,5	Ø9	Ø14		
HR11190100	WB 1	25	100	75	2	20	4	2	253	20
HR11190200	WB 2	38	130	75	2	26	4	4	333	20
HR11190300	WB 3	41	100	75	2	20	4	2	272	20
HR11190400	WB 4	41	135	75	2	32	4	4	347	20
HR11190500	WB 5	41	169	75	2	32	4	4	427	20
HR11190600	WB 6	46	100	75	2	20	4	2	278	20
HR11190700	WB 7	46	167	75	2	32	4	4	427	20
HR11190800	WB 8	47	100	75	2	20	4	2	279	20
HR11190900	WB 9	47	135	75	2	32	4	4	354	20
HR11191000	WB 10	50	125	75	2	26	4	4	335	20
HR11191100	WB 11	50	145	75	2	26	4	4	382	20
HR11191200	WB 12	60	100	80	2	10	4	4	313	20
HR11191300	WB 13	60	130	75	2	32	4	4	357	20
HR11191400	WB 14	60	150	75	2	32	4	4	404	20
HR11191500	WB 15	64	150	75	2	32	4	4	409	20
HR11191600	WB 16	64	58	75	2	32	4	4	427	20
HR11191700	WB 17	70	155	75	2	32	4	4	427	20
HR11191800	WB 18	71	125	75	2	32	4	4	358	20
HR11191900	WB 19	75	152	75	2	32	4	4	427	20
HR11192000	WB 20	76	210	75	2	32	4	4	567	20
HR11192100	WB 21	80	120	80	2	16	4	4	386	20
HR11192200	WB 22	86	146	75	2	32	4	4	427	20
HR11192300	WB 23	90	145	75	2	32	4	4	427	20
HR11192400	WB 24	100	140	80	2	28	4	4	462	10
HR11192500	WB 25	120	160	80	2	28	2	4	536	10
HR11192600	WB 26	140	180	80	2	34	2	4	607	10

FLAT WIDE CONNECTOR

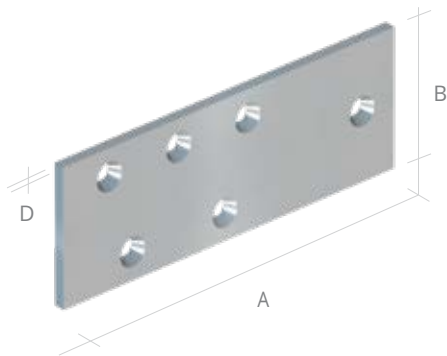
Material: sheet steel , galvanized after machining
 Application: connecting wooden beams



product no	symbol no	dimensions [mm]				holes number		weight g/pcs	package pcs/pack
		A	B	C	D	Φ 4,5	Ø 6		
HR11240100	PL 1	50,5	10	16,5	2	4	-	12	200
HR11240200	PL 2	60,5	12,5	16,5	2	4	-	14,5	200
HR11240300	PL 3	80,5	17	16,5	2	4	-	19	150
HR11240400	PL 4	100,5	27	16,5	2	4	-	25	100
HR11240500	PL 5	120,5	36,5	16,5	2	4	-	30	100
HR11240600	PL 6	150,5	53	16,5	2	4	-	38	100
HR11240700	PL 7	180,5	66	19	2	4	-	53	100
HR11240800	PL 8	202,5	66	19	2	4	-	59	50
HR11240900	PL 9	206	66	19	4	4	-	121	50
HR11241000	PL 10	240,5	89	19	2	4	-	71	50
HR11241100	PL 11	243	77,5	20	5	-	4	186	50
HR11241200	PL 12	293	90	25	5	-	4	283	50

FLAT JOIST CONNECTOR

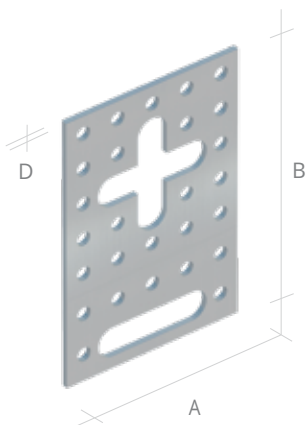
Material: sheet steel , galvanized after machining
 Application: connecting wooden beams



product no	symbol no	dimensions [mm]				holes number		weight g/pcs	package pcs/pack
		A	B	C	D	Ø 6	Ø 7,8		
HR11250100	PLB 3	144	50	50	4	6	-	220	40
HR11250200	PLB 4	293	169	40	5	-	7	450	25

FLAT ADJUSTABLE CONNECTOR

Material: sheet steel , galvanized after machining
 Application: connecting wooden beams



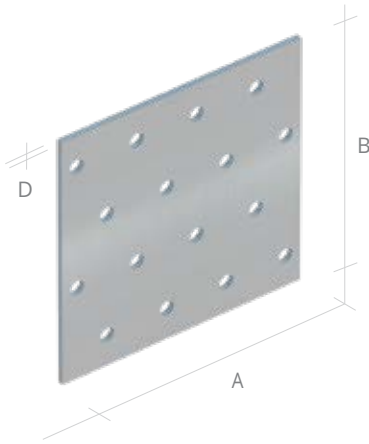
product no	symbol no	dimensions [mm]			holes number								weight g/pcs	package pcs/pack
		A	B	D	Ø 4,5	Ø 5	Ø 6	Ø 9	Ø 11	5,5x50	10x38	11x30		
HR11270100	PLN 1	89	60	2	27	-	-	-	-	-	3	-	62	50
HR11270200	PLN 2	95	59	2,5	-	12	-	2	1	-	-	1	101	50
HR11270300	PLN 3	139	20	4	-	-	2	-	-	1	-	-	77	50

TIMBER CONNECTOR



MOUNTING TAPE

- Material: sheet steel , galvanized after machining
- Application: connecting wooden beams



product no	symbol no	dimensions [mm]			holes number	weight	package
		A	B	D	Φ 4,5/1mb	g/1mb	pcs/pack
HR11280100	TM 1	m	40	2	100	603	10 mb or 25 mb
HR11280200	TM 2	m	60	2	150	905	10 mb or 25 mb
HR11280300	TM 3	m	80	2	200	1206	10 mb or 25 mb

LAG SCREWS FOR TIMBER CONSTRUCTION TX40 TYPE



- Material: galvanized carbon steel
- Application: mounting of roof truss

product no	length [mm]	package box [pcs]
HR11300100	80	50
HR11300200	100	50
HR11300300	120	50
HR11300400	140	50
HR11300500	160	50
HR11300600	180	50
HR11300700	200	50
HR11300800	220	50
HR11300900	240	50
HR11301000	260	50
HR11301100	280	50
HR11301200	300	50
HR11301300	320	50
HR11301400	340	50
HR11301500	360	50
HR11301600	380	50
HR11301700	400	50

NAILS FOR TIMBER CONNECTORS



- Material: galvanized carbon steel
- Application: fixing timber connectors

product no	dimensions diameter x length [mm]	package box [pcs]
HR11320100	4,0 x 40	50
HR11320200	4,0 x 50	50
HR11320300	4,0 x 60	50
HR11320400	4,0 x 70	50
HR11320500	4,0 x 80	50



PRODUCT CODE

02

PRODUCT GROUP

01 – roofing membranes, 02 – ridge, 03 – chimney, 04 – roof valley, 05 – eaves, 06 – ridge tile clamps, 07 – ridge tile clips, 08 – roof safety, 09 – snow protection, 10 – chimney vents, 11 – timber connectors

01

PRODUCT NUMBER

Unique code for each product from the product group.

31

FEATURES

Most common: dimension/special feature.

01

COLOURS

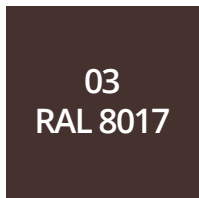
Basic Ral colour chart is below.



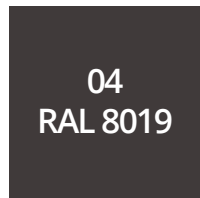
Black



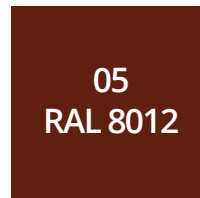
Brick Red



Brown



Dark Brown



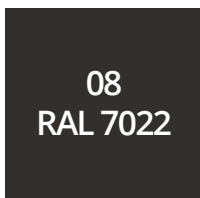
Chestnut



Graphite



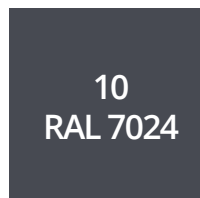
Red



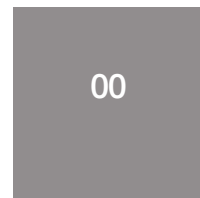
Grey



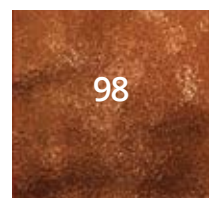
Cherry Red



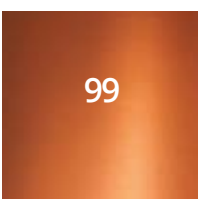
Anthracite



Galvanized



Copper Imitation



Copper



Info-GLOBAL sp. j. / ul. Długa 67, 63-400 Ostrów Wielkopolski, Polska
Tel: +48 62 7372760 / +48 62 7350055 / Fax: +48 62 7372761 / e-mail: office@himalayanroof.com

Contents of the catalogue (marks, drawings, photographs) are owned by Info-GLOBAL sp. j.
Other trademarks and product names, not owned by Info-GLOBAL sp. j., are trademarks or registered
trademarks of their respective owners and are used for informational purposes only.

The use of the materials contained in the catalogue without the consent and knowledge of their
owners is subject to liability in accordance with the Polish law on copyright protection.
Some of the items listed in the catalogue (pictures, graphics, drawings), due to print quality, may
differ from reality.

This catalogue is illustrative and does not constitute an offer within the meaning of Article 66 § 1 of
the Civil Code.

ALL RIGHTS RESERVED

DESIGN: WEBMOTION.PL